

Grove Manitowoc National Crane Potain



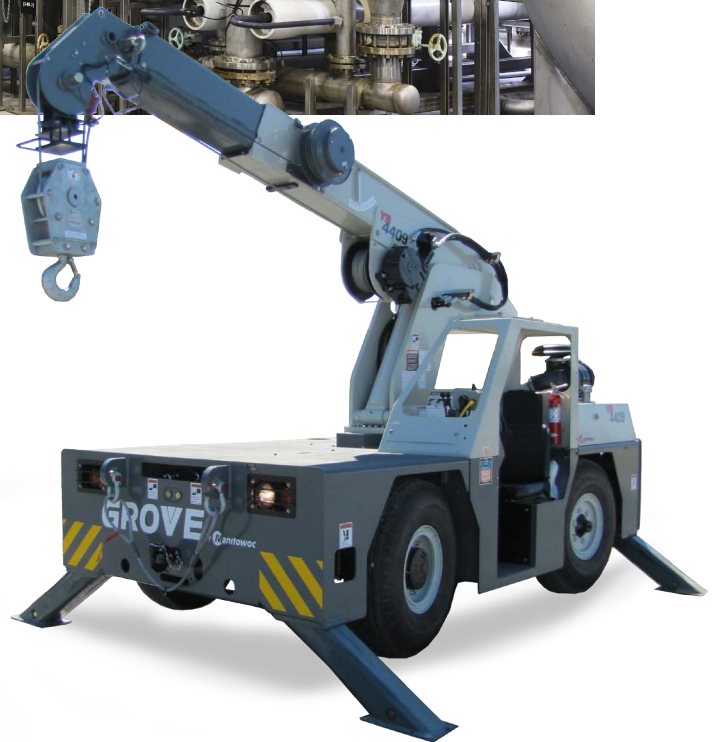
Grove YB4400 Series

Product Guide



Features

- YB4409: 7,7 t (8.5 USt) three-section boom with 7,6 m (25 ft 2 in) tip height
- YB4409XL: 7,7 t (8.5 USt) three-section boom with 10,2 m (33 ft 6 in) tip height
- YB4409-2: 8,1 t (9 USt) three-section boom with 11,6 m (38 ft 2 in) tip height
- YB4411: 9,5 t (10.5 USt) three-section boom with 11,6 m (38 ft 2 in) tip height
- 1,8 m (6 ft) fixed extension (YB4409/XL) and 3,6 m (12 ft) offsettable swingaway extension (YB4409-2 and YB4411)
- 74,5 kW (100 bhp) Tier IV Cummins diesel engine or 59,6 kW (80 bhp) GM EFI dual fuel engine



Features



Boom

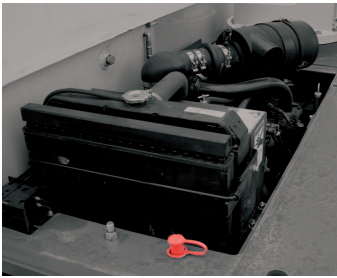
Standard:

6,4 m (21 ft) main boom on the YB4409.

9,1 m (30 ft) main boom on the YB4409XL.

10, 0 m (32 ft 10 in) main boom on the YB4409-2 and YB4411.

Optional: Manual fourth main boom section adds 3,0 m (10 ft) additional main boom length on YB4409 and YB4409XL only.



Engine (Tier IV)

Standard: Cummins QSB 3.3 L turbo-charged diesel rated at 74,5 kW (100 bhp) at 2600 rpm.



Pivoting boom nose

Standard on the YB4409-2 and YB4411 the exclusive pivoting boom nose allows operators to decrease the overall boom head depth and operate in more confined areas.



Cab

Standard: Open air cab shell with overhead safety glass.

Optional: Closed cab with split hinged door, heater/defroster, and all window glass.



Steering

Standard: Two-wheel, four-wheel, and crab steer with electronic self alignment (YB4411).

Standard: Two-wheel, four-wheel, and crab steer on other YB4400 Series models.

Optional: Electronic self-alignment on other YB4400 Series models.

Contents

Specifications	4
YB4409 (dimensions/turning radius/range diagram/load chart)	7
YB4409XL (dimensions/turning radius/range diagram/load chart)	11
YB4409-2 (dimensions/turning radius/range diagram/load chart)	17
YB4411 (dimensions/turning radius/range diagram/load chart)	21
YB4409 DIN/ISO (range diagram/load chart)	25
YB4409XL DIN/ISO (range diagram/load chart)	27
YB4409-2 DIN/ISO (range diagram/load chart)	29
YB4411 DIN/ISO (range diagram/load chart)	31
Symbols glossary	33

Specifications

Superstructure

Boom

YB4409: 2,9 m – 6,5 m (9 ft 8 in – 21 ft 2 in) three-section full power boom.
 Maximum tip height: 7,6 m (25 ft 2 in)

YB4409XL: 3,8 m – 9,2 m (12 ft 8 in – 30 ft 2 in) three-section full power boom.
 Maximum tip height: 10,2 m (33 ft 6 in)

YB4409-2 and YB4411: 4,2 m – 10,0 m (13 ft 10 in – 32 ft 10 in) three-section full power boom.
 Maximum tip height: 11,6 m (38 ft 2 in)

*Optional boom

YB4409 and YB4409XL: Manual fourth main boom fly section adds 3,0 m (10 ft) additional boom length.

*Boom extension

YB4409 and YB4409XL: 1,8 m (6 ft) fixed pin on extension

YB4409-2 and YB4411: 3,6 m (12 ft) offsettable extension. 3,6 m - 5,4 m (12 ft- 18 ft) telescopic offsettable extension

Boom nose

YB4409 / XL: Single sheave non-pivoting

YB4409-2 and YB4411: Single sheave, three-position (0°, + 30°, + 80°) pivoting boom nose for minimizing head space requirements. Lowers head height. 0,26 m (10.5 in) when nose is pivoted fully forward.

Boom elevation

Single double acting hydraulic cylinder with integral holding valve.
 Elevation: 0° to 60° for the **YB4409 and YB4409XL**
 0° to 72° for the **YB4409-2 and YB4411**

Anti-two block device

Standard anti-two block device, when activated, provides an audible warning to the crane operator and disengages all crane functions whose movement can cause two-blocking.

Load indicator (wireless LSI)

A simple, effective, and easy to use load indicating system used in conjunction with the anti-two block system to assist the operator in efficient operation of the unit within the limits of the load chart. The display panel displays the hook load and warns the operator when a preset load capacity is exceeded. The warning is by a flashing light on the display panel. In conjunction with the load display panel (receiver), there is a wireless transmitter and load sensing pin attached to the boom head that transmits the hook load to the display panel.

*Load Moment Indicator (hard wired LMI)

Digital display of boom angle, boom length, boom radius, capacity, and allows for operator in-put to set the limits based on load chart. Displays color coded light bar and audible alarm with function cutout if load exceeds entered parameters.
(hard wired system)

Swing

Ball bearing swing circle with 360° continuous rotation. Hydraulic driven worm gear and pinion.
 Maximum speed: 2.05 rpm

Hydraulic system

YB4409 and YB4409XL: (2) gear pumps

YB4409-2 and YB4411: Variable displacement piston pump and piggyback gear pump.

Combined flow: 107,9 Lpm (28.5 gpm)

Maximum system operating pressure: 3600 psi

YB4409 and YB4409XL: Six section valve bank mounted in dash panel with direct mechanical linkage for low effort lever control.

YB4409-2 and YB4411: Six section valve bank chassis mounted; operated via dash mounted, pilot pressure hydraulic joysticks.

Return line filter with full flow by-pass protection and service indicator.

170 L (45 gal) hydraulic reservoir with sight level gauge and steel side plating to guard against side impact damage.

Specifications

Superstructure continued

Hoist specifications

YB4409 / XL: Worm drive with counter-balance valving. Equal speed power up and down.

YB4409-2 and YB4411: Piston motor drive with spring applied/hydraulic released brake.

Drum diameter:
YB4409 / XL: 0,24 m (9.69 in)
YB4409-2 and YB4411: 0,27 m (10.63 in)

Maximum single line pull:
YB4409 / XL: 4854 kg (10,700 lb)
YB4409-2 and YB4411: 6350 kg (14,000 lb)

Maximum single line speed:
YB4409 / XL: 26,8 m/min (88 fpm)
YB4409-2 and YB4411: 36,6 m/min (120 fpm)

Maximum permissible single line pull:
YB4409 / XL: 3855 kg (8500 lb)
 (12,7 mm [1/2 inch] Python Ultra XIPS)
YB4409-2 and YB4411: 4536 kg (10,000 lb)
 (14,0 mm [9/16 inch] EEIPS)

Rope length :
YB4409 / XL: (three-section boom) 29,6 m (97 ft)
 (four-section boom) 39,6 m (130 ft)
YB4409-2 and YB4411: 36,6 m (120 ft)

Carrier

Frame

High strength alloy steel constructed with integral outrigger housings; front and rear lifting, towing, and tie-down lugs. 38 ft² carrydeck size with 6350 kg (14,000 lb) carrying capacity (**YB4409/XL / YB4409-2**) and 7711 kg (17,000 lb) carrying capacity (**YB4411**). Deck coated with anti-skid treatment.

Outriggers

YB4409, YB4409XL and YB4409-2: Front and rear oblique type beams at all four corners with integral holding valves. Outrigger pads form an integral part of the beam.

YB4411: Hydraulic telescoping beam with oblique type jack provides extended and down and retracted and down lifting capacities. Integral holding valves on both beam and jack.

Padsize YB4400 Series:
 18 cm x 20 cm (7.4 in x 7.8 in)

Maximum outrigger pad load: YB4409/XL: 122 psi
 YB4411: 387 psi
 YB4409-2: 135 psi

Grove YB4400 Series

Outrigger controls

YB4409-2, YB4409 and YB4409XL: Lever controls located on dash panel which operate the beams in pairs from side to side.

YB4411: Two switch operation mounted on dash panel. One -three- position rocker switch to select all beams/jacks, left beams/jacks only, or right beams/jacks only. Separate -four- way toggle switch to activate beams out/in and jacks down/up. Level bubble indicator located inside operators compartment.

*Independent outrigger controls available as an option.

Engine (Tier IV)

Cummins QSB 3.3 L, four-cylinder, turbo-charged diesel rated at 74.5 Kw (100 hp) at 2600 rpm. Standard 110v engine block heater and cold weather intake grid heater.

Diesel oxidation/catalyst, stainless steel muffler/exhaust system to meet 2012 EPA emissions, combined with a Cummins direct air flow, two-stage cyclonic air filter system.

Maximum torque: 413,5 Nm (305 lb ft)

Note: Required for sale in North American and European Union countries.

Engine (Tier III)

Cummins QSB 3.3 L turbo-charged diesel rated at 63,4 kW (85 bhp) at 2600 rpm. Supplied with 110 V engine block heater and air intake grid heater.

*Optional engine

G.M. 3.0 L EFI dual fuel (gasoline / L.P.) rated at 59,6 kW (80 bhp) at 2600 rpm.

Operators control station

Frame mounted, open air style control station with cab shell. Includes all crane functions, driving controls, and overhead safety glass. Other standard equipment include a durable weather resistant seat with seat belt, hourmeter, sight level bubble, and fire extinguisher. The dash panel includes engine oil pressure gauge, engine water temperature gauge, fuel gauge, transmission low oil and high temperature warning lights, low battery warning light, and brake system low pressure warning light.

**Denotes optional equipment*

Specifications



Fuel tank capacity

64 L (17 gal) all steel construction with steel side plate to guard against side impact.



*Operator control station enclosed

Includes the standard cab shell with the addition of front, right, and rear glass, a split (two-piece) hinged door with sliding glass.
 Front windshield wiper and heater and defroster is included.



Electrical system

One 12V maintenance free battery, 820CCA at 0°. Jump start connections. 120 amp alternator.



Drive

4 x 2 – Front axle drive with planetary hubs and limited slip differential.



Steer

YB4409/ YB4409XL/YB4409-2: two-wheel, four-wheel with crab steer

YB4411: two-wheel, four-wheel, and crab steer with electronic self alignment.



Transmission

YB4409 / XL and YB4409-2: Synchromesh -four- speeds forward and reverse with stalk mounted forward/ reverse selector.

YB4411: Powershift -four- speeds forward and reverse. Stalk mounted shifter on left side of steering column.



Axles

Front: Carraro planetary drive/steer with internal multi-wet-disc brakes and limited slip differential.
 Rear: Fabricated non-drive steer with disc brakes



Tires

10.00 x 15 pneumatic



Brakes

Hydraulic actuated internal wet-disc service brakes acting on all four wheels. A dash mounted toggle switch activates the dry disc parking brake on the transmission output yoke with a dash warning light.



Suspension

Front: Rigid mounted to frame.
 Rear: Rigid mounted to frame.



Lights

Recessed mounted, includes head, tail, rear work, stop, and turn signals.



Maximum speed

35,6 km/h (22 mph)



Gradeability (theoretical)

YB4409 / XL and YB4409-2:

57%....no load

31%.... 5443 kg (12,000 lb) load

YB4411: 68%....no load

40%.... 9072 kg (20,000 lb) load

Gross vehicle weight (G.V.W)

YB4409: 6777 kg (14,940 lb)

YB4409XL: 7366 kg (16,240 lb)

YB4409-2: 7532 kg (16,605 lb)

YB4411: 8009 kg (17,656 lb)

*All weights with enclosed cab

Miscellaneous standard equipment

Single sheave, “Quick Reeve” style hook block.;

YB4409 / XL: 8,0 t (8.5 USt)

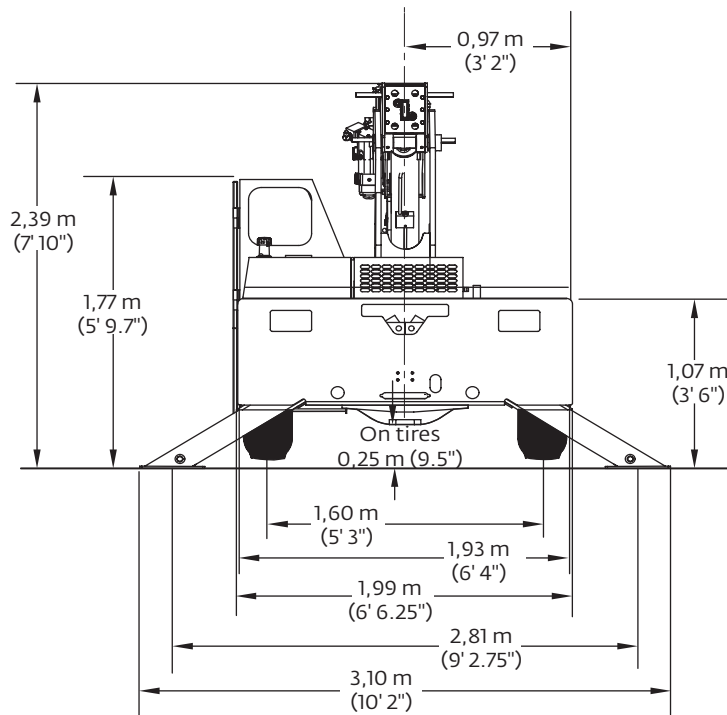
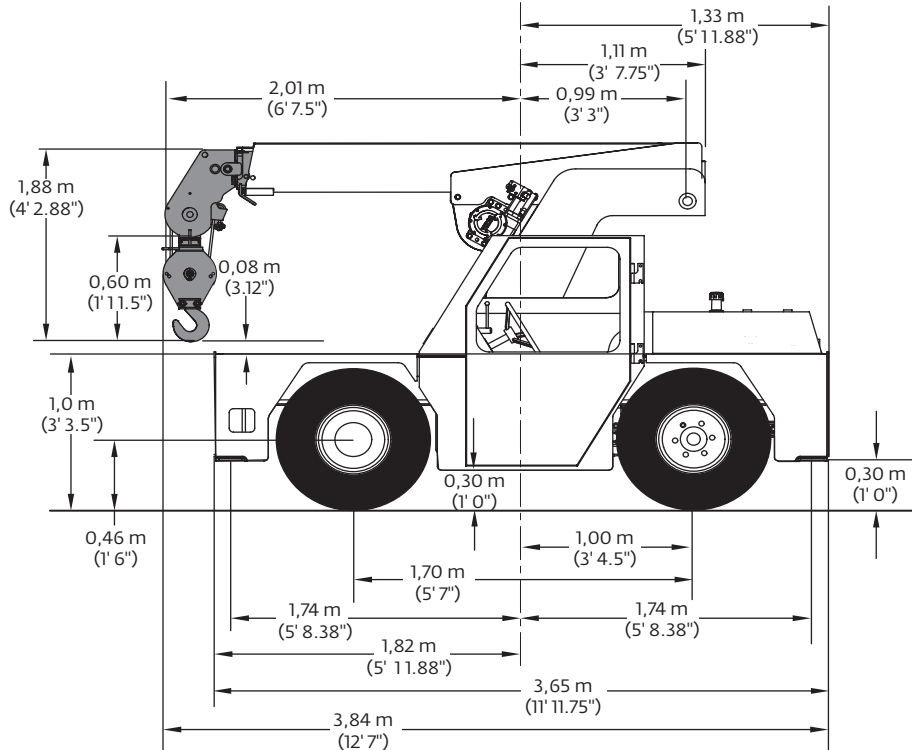
YB4409-2: 8,1 t (9 USt)

YB4411: 10 t (10.5 USt)

Back-up alarm

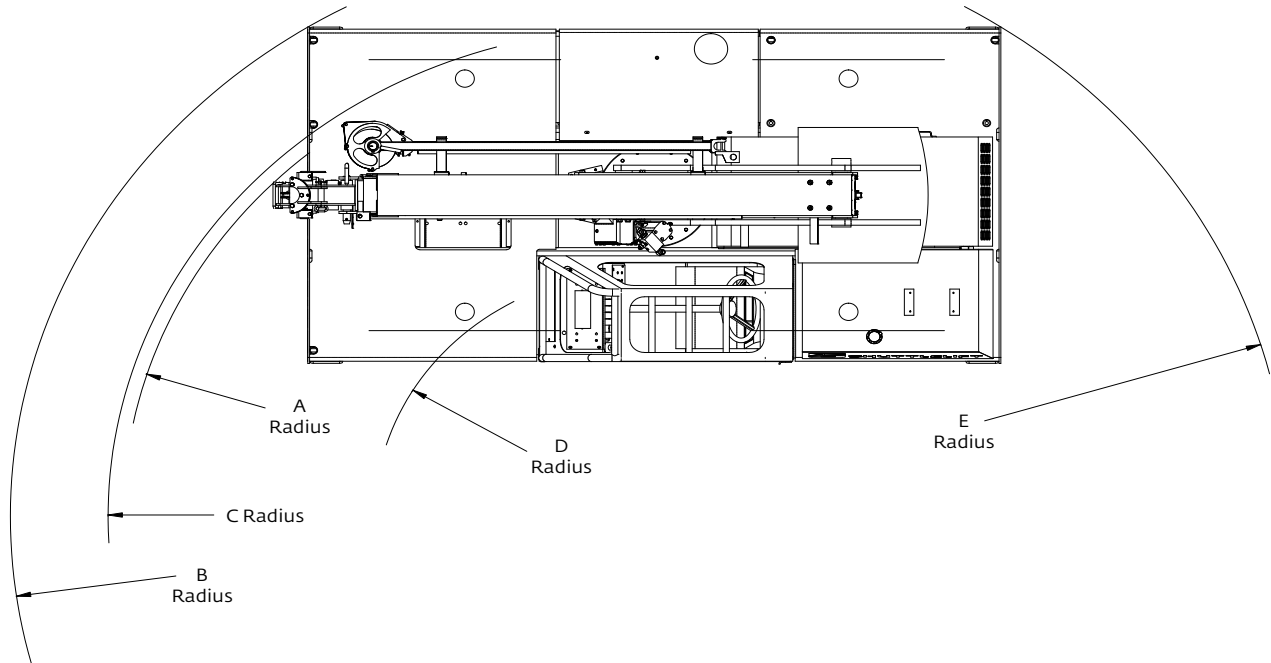
Dimensions

YB4409



Turning radius

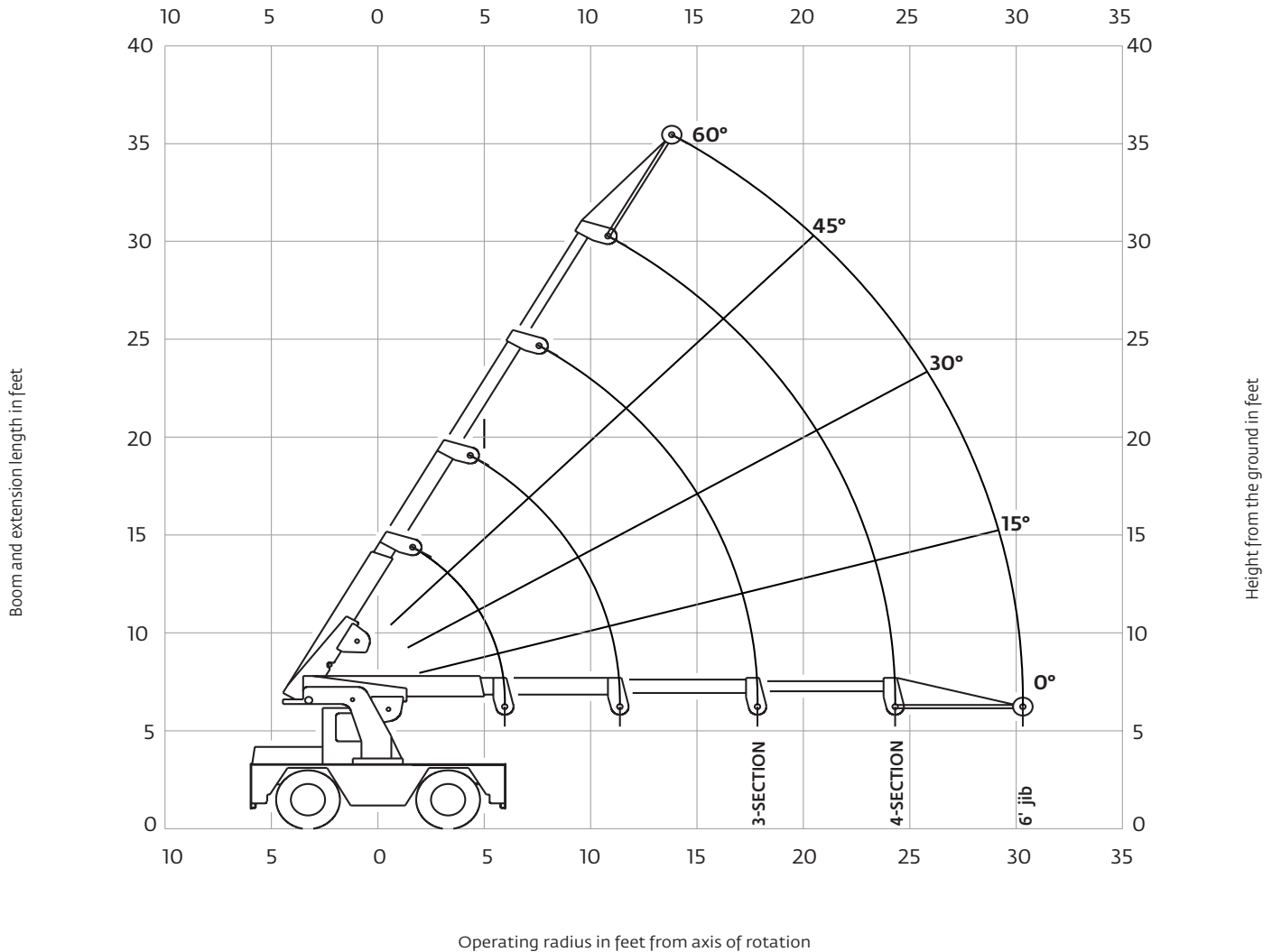
YB4409



	A	B	C	D	E
Two-wheel steer	4496 mm (14 ft 9 in)	4737 mm (15 ft 6.5 in)	4636 mm (15 ft 2.5 in)	2718 mm (8 ft 11 in)	5525 mm (18 ft 1.5 in)
Four-wheel steer	3048 mm (10 ft 0 in)	3645 mm (11 ft 9.5 in)	3188 mm (10 ft 5.5 in)	1473 mm (4 ft 10 in)	3569 mm (11 ft 8.5 in)

Range diagram

YB4409



THIS CHART IS ONLY A GUIDE AND SHOULD NOT BE USED TO OPERATE THE CRANE. The individual crane's load chart, operating instructions and other instructional plates must be read and understood prior to operating the crane.

Load chart

YB4409

RADIUS (ft)	3-SECTION BOOM OR 4-SECTION BOOM WITH 4TH RETRACTED				RADIUS (ft)	4-SECTION BOOM WITH 4TH EXTENDED				MAIN BOOM ANGLE (deg)	JIB STRUCTURAL CAPACITIES (lb)		
	ON OUTRIGGERS (lb)		ON RUBBER (lb)			ON OUTRIGGERS (lb)		ON RUBBER (lb)			3-SECTION BOOM OR 4-SECTION BOOM WITH 4TH RETRACTED	4-SECTION BOOM WITH 4TH EXTENDED	
	F/R	360°	F/R	360°		F/R	360°	F/R	360°				
5.0	17,000	17,000	10,000	10,000	MAIN BOOM	5.0	6100	6100	6100	6100	60	3500	3500
6.0	15,700	14,400	10,000	7450		6.0	6100	6100	6100	6100	55	3325	3325
8.0	12,400	10,800	7150	4400		8.0	5300	5300	5300	5250	50	3150	3150
10.0	10,200	8600	4700	2950		10.0	4700	4700	4700	3750	45	3000	3000
12.0	8500	7000	3400	2175		12.0	4400	4400	3800	2450	40	2875	2875
14.0	7200	5400	2650	1700		14.0	4400	4400	2900	1875	35	2800	2800
16.0	6100	4300	2150	1325		16.0	4400	4400	2325	1525	30	2700	2700
18.0	5000	3550	1775	1100		18.0	4400	4100	1900	1225	25	2600	2600
20.0	2700	2700	1525	950		20.0	4300	3150	1600	1000	20	2500	2500
22.0	2600	2600	1350	825		22.0	3700	2700	1375	850	15	2400	2400
24.5	2200	2200	150	675		24.5	3100	2300	1200	700	10	2325	2325
26.0	-	-	-	-		26.0	2700	2125	100	650	5	2250	2250
28.0	-	-	-	-		28.0	2500	1900	975	575	0	2200	2200
30.0	-	-	-	-		30.0	2300	1700	850	475			
31.0	-	-	-	-		31.0	2200	1625	800	425			

* LIMIT RATINGS TO 11,800 LB WHEN 3RD SECTION IS EXTENDED ANY AMOUNT.

NOTES:
 JIB CAPACITY IS LIMITED BY BOTH STRUCTURAL CAPACITY CHART AND MAIN CAPACITY CHART.

SHADED AREAS ARE GOVERNED BY STRUCTURAL STRENGTH, DO NOT RELY ON TIPPING.

OPERATION OF THIS EQUIPMENT IN EXCESS OF RATING CHARTS AND DISREGARD OF INSTRUCTIONS IS DANGEROUS AND VOIDS WARRANTY.

1) The rated loads are the maximum lift capacities as determined by operating radius, boom extension and boom angle. The operating radius is the horizontal distance from a projection of the axis of rotation to the supporting surface, before loading, to the center of vertical hoist line or tackle with load applied.

2) The rated loads shown on outriggers do not exceed 85% of actual tipping. The rated loads shown on rubber do not exceed 75% of actual tipping. These ratings are based on freely suspended loads with the crane leveled, standing on a firm, uniform supporting surface. Practical working loads depend on supporting surface, operating radius and other factors affecting stability. Hazardous surroundings, climatic conditions, experience of personnel and proper training must all be taken into account by the operator.

3) The weights of all load handling devices such as hooks, hook blocks, slings, etc., except the hoist rope, shall be considered part of the load. See reduction chart.

4) Ratings on outriggers are for either outriggers fully extended and down or fully retracted and down. Ratings for outriggers fully retracted and down will apply for any intermediate outrigger setting.

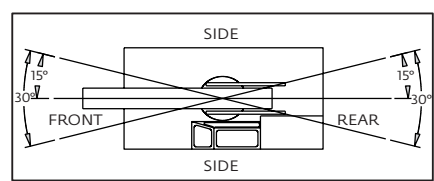
5) Ratings on rubber depend on tire capacity, condition of tires and proper inflation pressure (100 psi). Loads on rubber may be transported at a maximum speed of 2.5 mph on a smooth, hard, level surface with boom retracted to the shortest length possible and centered over front.

6) For operating radius not shown, use load rating of next larger radius.

7) The maximum combined total boom and deck load is 12,000 lb. The maximum deck load only is 14,000 lb.

8) Do not induce any external side loads to boom or jib.

1301286YB



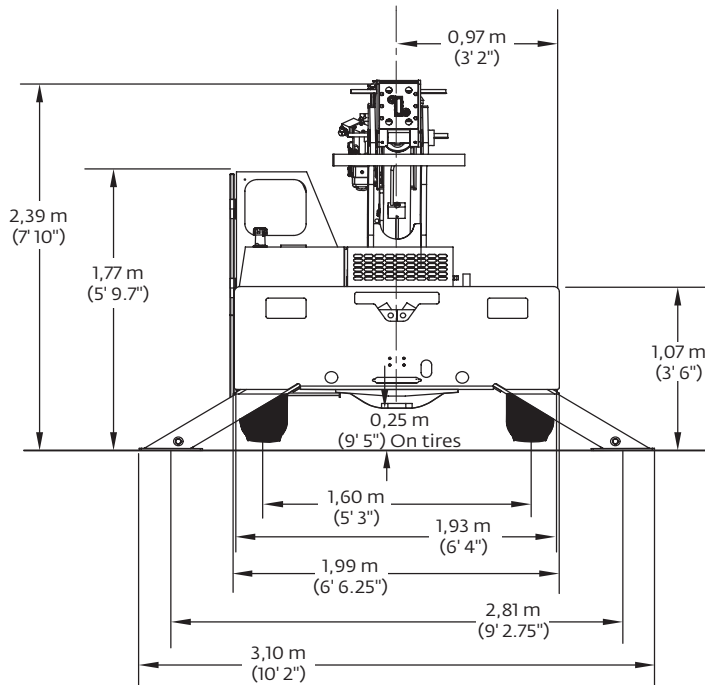
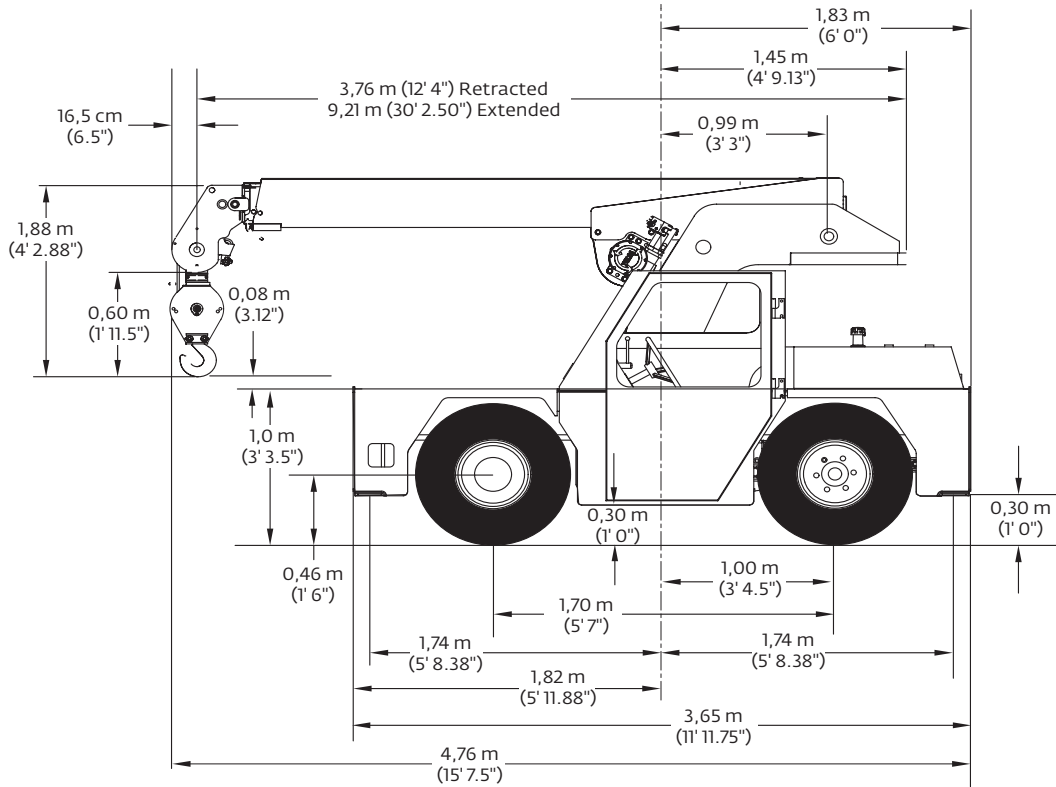
REDUCTION CHART		
	FROM MAIN BOOM RATINGS	FROM JIB RATINGS
MAIN BLOCK	140 lb	N/A
HOOK & BALL	100 lb	100 lb
JIB, STOWED	0 lb	N/A
JIB, DEPLOYED	150 lb	0 lb

RIGGING CHART	
1-PART 0-8500 lb	2-PART 0-17,000 lb
WIRE ROPE: 1/2 inch diameter Min. breaking strength 29,750 lb	

THIS CHART IS ONLY A GUIDE AND SHOULD NOT BE USED TO OPERATE THE CRANE.
 The individual crane's load chart, operating instructions and other instructional plates must be read and understood prior to operating the crane.

Dimensions

YB4409XL

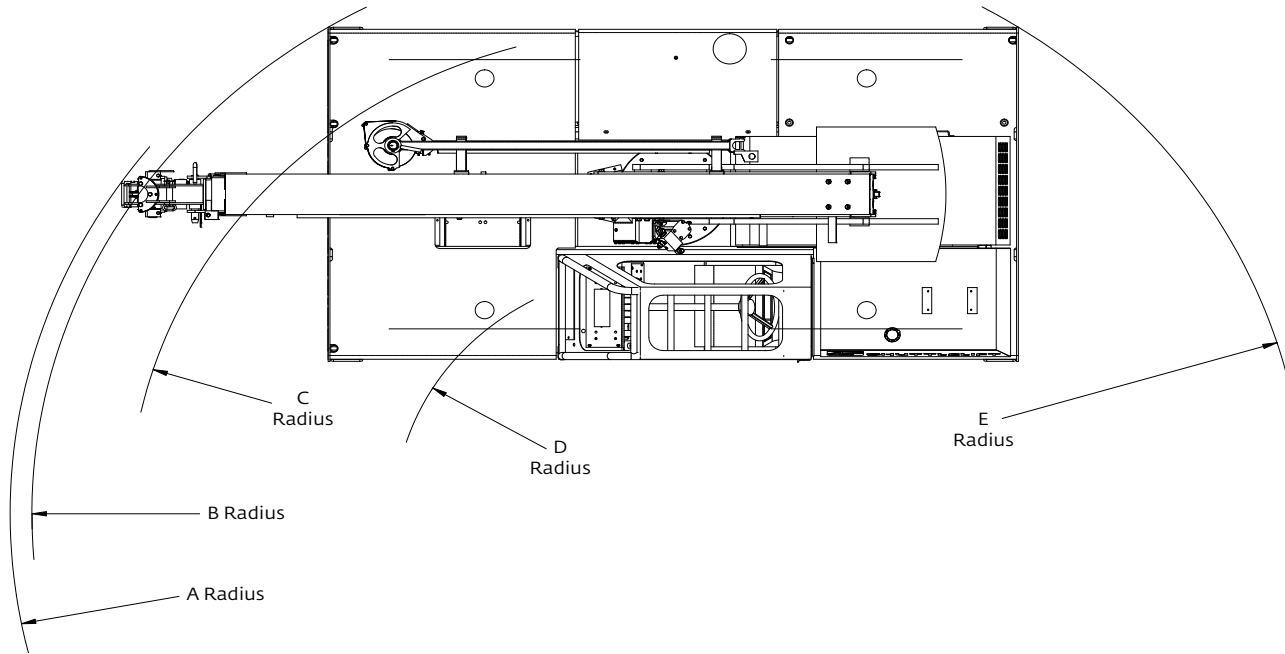


THIS CHART IS ONLY A GUIDE AND SHOULD NOT BE USED TO OPERATE THE CRANE.

The individual crane's load chart, operating instructions and other instructional plates must be read and understood prior to operating the crane.

Turning radius

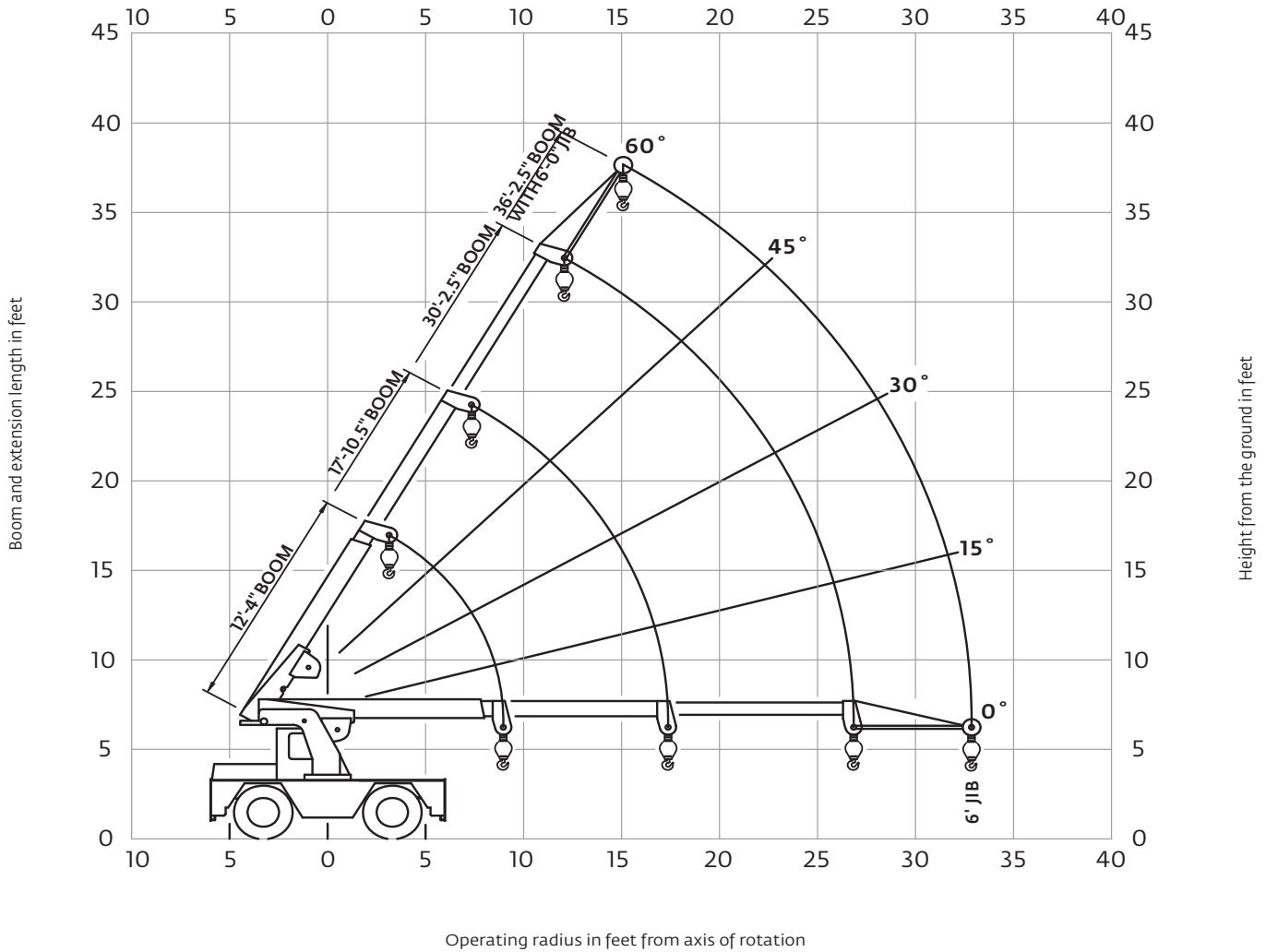
YB4409XL



	A	B	C	D	E
Two-wheel steer	5131 mm (16 ft 10 in)	4737 mm (15 ft 6.5 in)	4636 mm (15 ft 2.5 in)	2718 mm (8 ft 11 in)	5525 mm (18 ft 1.5 in)
Four-wheel steer	3683 mm (12 ft 1 in)	3645 mm (11 ft 9.5 in)	3188 mm (10 ft 5.5 in)	1473 mm (4 ft 10 in)	3569 mm (11 ft 8.5 in)

Range diagram

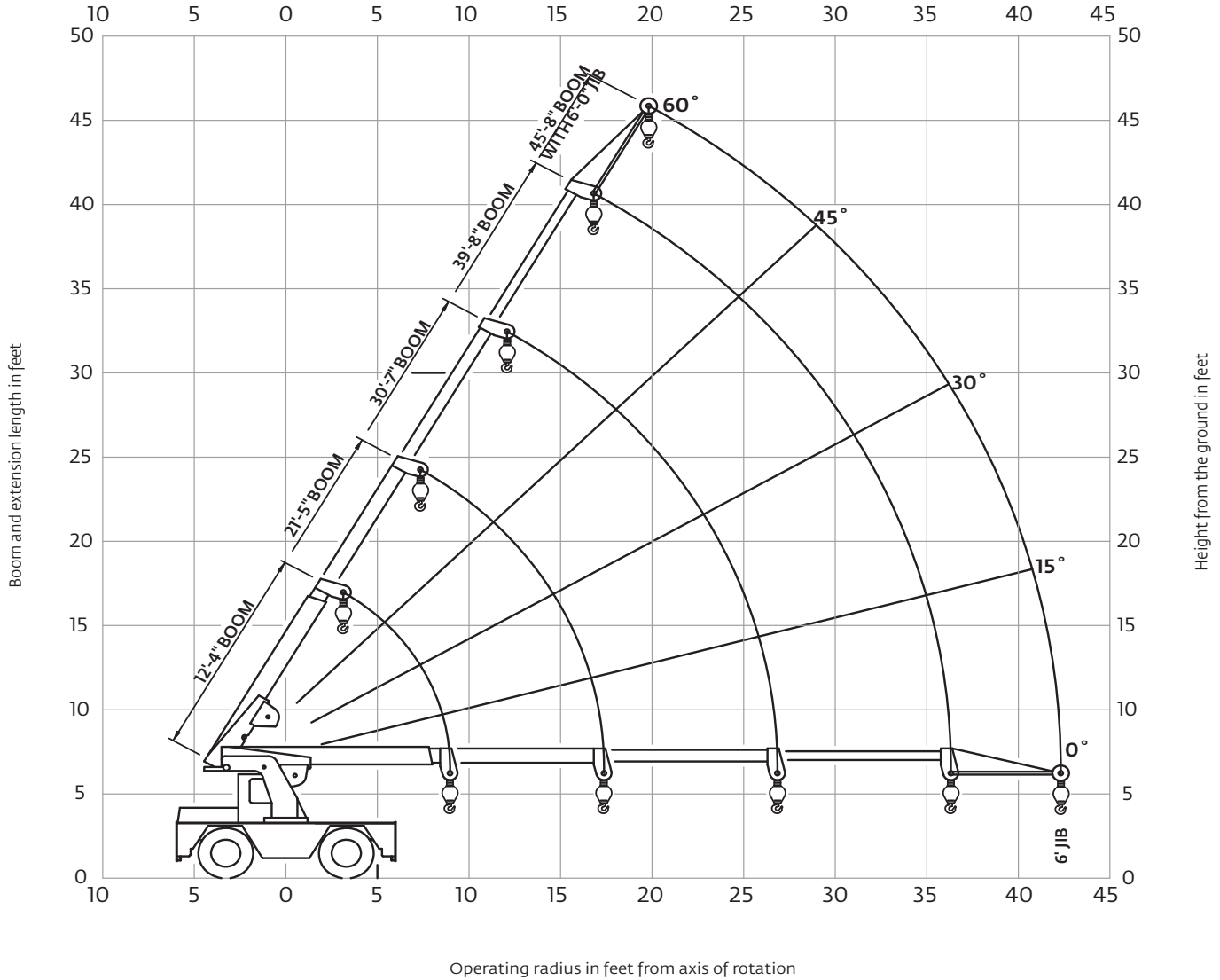
YB4409XL (Three-section boom)



Operating radius in feet from axis of rotation

Range diagram

YB4409XL (Four-section boom)



THIS CHART IS ONLY A GUIDE AND SHOULD NOT BE USED TO OPERATE THE CRANE.
 The individual crane's load chart, operating instructions and other instructional plates must be read and understood prior to operating the crane.

Load chart

YB4409XL (Three-section boom)

Radius (ft)	3-SECTION MAIN BOOM		Radius (ft)	3-SECTION MAIN BOOM		Radius (ft)	3-SECTION MAIN BOOM W/6 FT JIB DEPLOYED				
	ON OUTRIGGERS (lb)			ON RUBBER (lb)			LOADED BOOM ANGLE (deg)	ON OUTRIGGERS (lb)		ON RUBBER (lb)	
	F/R	360°		F/R	360°			F/R	360°	F/R	360°
5	17,000	17,000	5	10,000	10,000	16.4	60	3500	3500	2000	1300
6	15,700	14,400	6	9500	8200	18	57.5	3375	3375	1775	1150
8	12,400	10,800	8	7325	5125	20	53.5	3225	3150	1450	950
10	10,200	8500	10	4875	3475	22	49	3075	2700	1225	800
12	8500	6950	12	3550	2550	24	44.5	2950	2350	1025	650
14	7100	5800	14	2750	1925	26	39.5	2850	2050	875	525
16	6000	4650	16	2150	1450	28	34	2625	1825	800	425
18	5200	3800	18	1775	1150	30	27	2400	1650	725	350
20	4450	3150	20	1450	950	32	16.5	2175	1475	650	300
22	3800	2700	22	1225	800	33.5	0	2000	1375	600	250
24	3300	2350	24	1025	650						
26	2900	2050	26	875	525						
27	2750	1925	27	850	475						

NOTES:

OPERATE WITH JIB BY RADIUS WHEN MAIN BOOM IS FULLY EXTENDED AND BY BOOM ANGLE WHEN MAIN BOOM IS PARTIALLY EXTENDED. DO NOT EXCEED JIB CAPACITIES AT ANY PARTIALLY EXTENDED BOOM LENGTH.

SHADED AREAS ARE GOVERNED BY STRUCTURAL STRENGTH. DO NOT RELY ON TIPPING.

OPERATION OF THIS EQUIPMENT IN EXCESS OF RATING CHARTS AND DISREGARD OF INSTRUCTIONS IS DANGEROUS AND VOIDS WARRANTY.

1) The rated loads are the maximum lifting capacities as determined by operating radius only. Any combination of boom lengths and angles may be used to obtain operating radius. The operating radius is the horizontal distance from a projection of the axis of rotation to the supporting surface, before loading, to the center of vertical hoist line or tackle with load applied.

2) The rated loads shown on outriggers do not exceed 85% of actual tipping. The rated loads shown on rubber do not exceed 75% of actual tipping. These ratings are based on freely suspended loads with the crane leveled, standing on a firm, uniform, supporting surface. Practical working loads depend on supporting surface., operating radius, and other factors affecting stability. Hazardous surroundings, climatic conditions, experience of personnel, and proper training must all be taken into account by the operator.

3) The weights of all load handling devices such as hooks, hook blocks, slings, etc., except the hoist rope, shall be considered as part of the load. See reduction chart.

4) Ratings on outriggers are with outriggers fully extended.

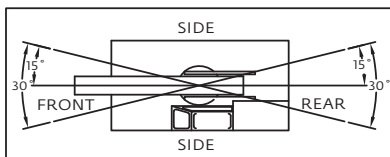
5) Ratings on rubber depend on tire capacity, condition of tires and proper inflation pressure (100 psi). Loads on rubber may be transported at a maximum speed of 2.5 mph on a smooth, hard, level surface with boom retracted to the shortest length possible and centered over front.

6) For operating radius not shown, use load rating of next larger radius.

7) The maximum combined total boom and deck load is 12,000 lb. The maximum deck load only is 14,000 lb.

8) Do not induce any external side loads to boom or jib.

80017680



REDUCTION CHART		
	FROM MAIN BOOM RATINGS	FROM JIB RATINGS
MAIN BLOCK	140 lb	N/A
HOOK & BALL	100 lb	100 lb
JIB, STOWED	0 lb	N/A
JIB, DEPLOYED	150 lb	0 lb

RIGGING CHART	
1-PART 0 - 8500 lb	2-PART 0 - 17,000 lb
WIRE ROPE: 1/2 inch diameter Minimum breaking strength 29,750 lb	

Load chart

YB4409XL (Four-section boom)

Radius (ft)	4-SECTION MAIN BOOM W/ 4TH RETRACTED			
	ON OUTRIGGERS (lb)		ON RUBBER (lb)	
	F/R	360°	F/R	360°
5	17000	17000	10000	10000
6	15700	14400	9500	8200
8	12400	10800	8000	5600
10	10200	8500	5400	3800
12	8500	6950	3800	2700
14	7100	5800	2750	1950
16	6000	4650	2150	1450
18	5200	3800	1800	1150
20	4450	3150	1500	950
22	3800	2700	1300	775
24	3300	2350	1100	600
26	2900	2050	900	450
27	2750	1925	825	375

Radius (ft)	4-SECTION MAIN BOOM W/ 4TH EXTENDED			
	ON OUTRIGGERS (lb)		ON RUBBER (lb)	
	F/R	360°	F/R	360°
5	-	-	-	-
6	-	-	-	-
8	4900	4900	4900	4900
10	4300	4300	4300	4250
12	3800	3800	3800	3300
14	3400	3400	3400	2600
16	3100	3100	2900	2100
18	2900	2900	2400	1700
20	2900	2900	1950	1350
22	2900	2900	1600	1050
24	2900	2650	1350	850
26	2900	2300	1100	700
27	2900	2150	1000	650
28	2750	2000	925	600
30	2450	1800	800	500
32	2200	1600	700	400
33.5	1975	1400	625	325
36	1775	1250	550	250

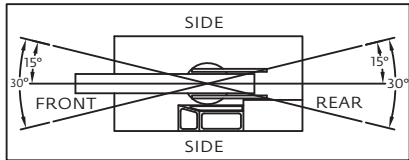
NOTES:
OPERATE WITH JIB BY RADIUS WHEN MAIN BOOM IS FULLY EXTENDED (WITH 4TH SECTION EXTENDED OR RETRACTED) AND BY BOOM ANGLE WHEN MAIN BOOM IS PARTIALLY EXTENDED. DO NOT EXCEED JIB CAPACITIES AT ANY PARTIALLY EXTENDED BOOM LENGTH.

SHADED AREAS ARE GOVERNED BY STRUCTURAL STRENGTH. DO NOT RELY ON TIPPING.

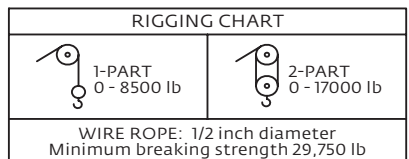
OPERATION OF THIS EQUIPMENT IN EXCESS OF RATING CHARTS AND DISREGARD OF INSTRUCTIONS IS DANGEROUS AND VOIDS WARRANTY.

Radius (ft)	LOADED BOOM ANGLE (deg)	4-SECTION MAIN BOOM W/ 4TH RETRACTED W/ 6 FT JIB DEPLOYED			
		ON OUTRIGGERS (lb)		ON RUBBER (lb)	
		F/R	360°	F/R	360°
16.4	60	3500	3500	2000	1300
18	57.5	3375	3375	1800	1150
20	53.5	3225	3150	1500	950
22	49	3075	2700	1300	800
24	44.5	2950	2350	1100	650
26	39.5	2850	2050	925	525
28	34	2625	1825	800	425
30	27	2400	1650	725	350
32	16.5	2175	1475	650	300
33.5	0	2000	1375	600	250

Radius (ft)	LOADED BOOM ANGLE (deg)	4-SECTION MAIN BOOM W/ 4TH EXTENDED W/ 6 FT JIB DEPLOYED			
		ON OUTRIGGERS (lb)		ON RUBBER (lb)	
		F/R	360°	F/R	360°
22	60	2900	2900	1600	1050
24	57	2900	2650	1350	850
26	54	2900	2300	1100	700
28	50.5	2750	2000	925	600
30	47	2450	1800	800	500
32	43	2200	1600	700	400
33.5	40	1975	1400	625	325
36	34.5	1775	1250	550	250
38	29	1650	1150	500	200
40	22.5	1550	1075	450	150
42	11.5	1450	1000	400	125
43	0	1400	950	375	100



	FROM MAIN BOOM RATINGS	FROM JIB RATINGS
MAIN BLOCK	140 lb	N/A
HOOK & BALL	100 lb	100 lb
JIB, STOWED	0 lb	N/A
JIB, DEPLOYED	150 lb	0 lb



1) The rated loads are the maximum lifting capacities as determined by operating radius only. Any combination of boom lengths and angles may be used to obtain operating radius. The operating radius is the horizontal distance from a projection of the axis of rotation to the supporting surface, before loading, to the center of vertical hoist line or tackle with load applied.

2) The rated loads shown on outriggers do not exceed 85% of actual tipping. The rated loads shown on rubber do not exceed 75% of actual tipping. These ratings are based on freely suspended loads with the crane leveled, standing on a firm, uniform, supporting surface. Practical working loads depend on supporting surface, operating radius, and other factors affecting stability. Hazardous surroundings, climatic conditions, experience of personnel, and proper training must all be taken into account by the operator.

3) The weights of all load handling devices such as hooks, hook blocks, slings, etc., except the hoist rope, shall be considered as part of the load. See reduction chart.

4) Ratings on outriggers are with outriggers fully extended.

5) Ratings on rubber depend on tire capacity, condition of tires and proper inflation pressure (100 psi). Loads on rubber may be transported at a maximum speed of 2.5 mph on a smooth, hard, level surface with boom retracted to the shortest length possible and centered over front.

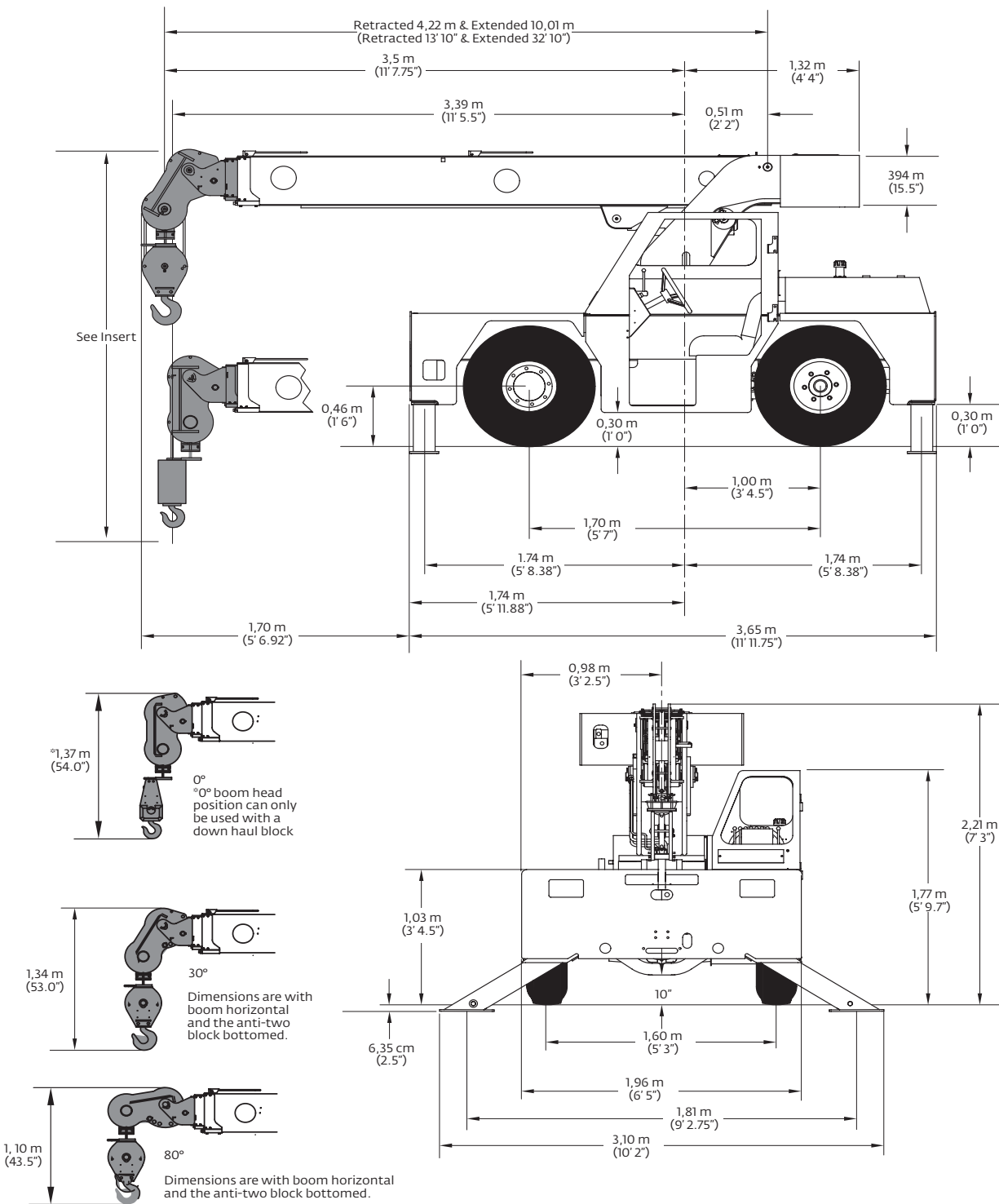
6) For operating radius not shown, use load rating of next larger radius.

7) The maximum combined total boom and deck load is 12,000 lb. The maximum deck load only is 14,000 lb.

8) Do not induce any external side loads to boom or jib.

Dimensions

YB4409-2

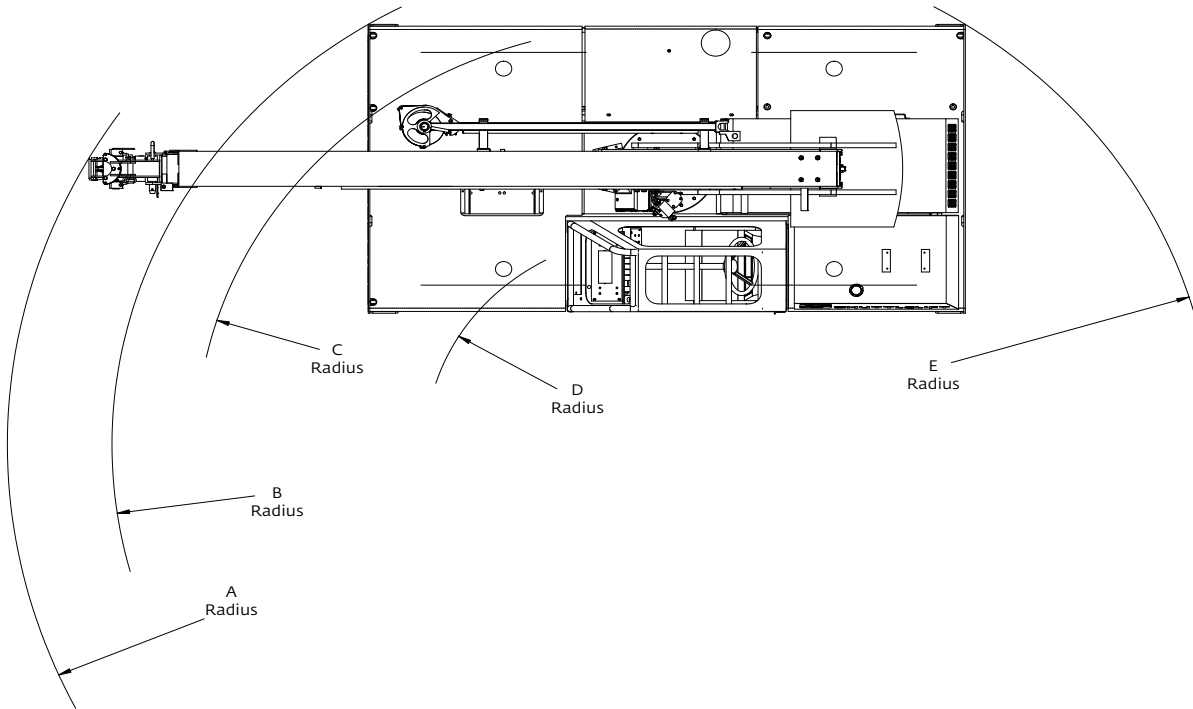


THIS CHART IS ONLY A GUIDE AND SHOULD NOT BE USED TO OPERATE THE CRANE.

The individual crane's load chart, operating instructions and other instructional plates must be read and understood prior to operating the crane.

Turning radius

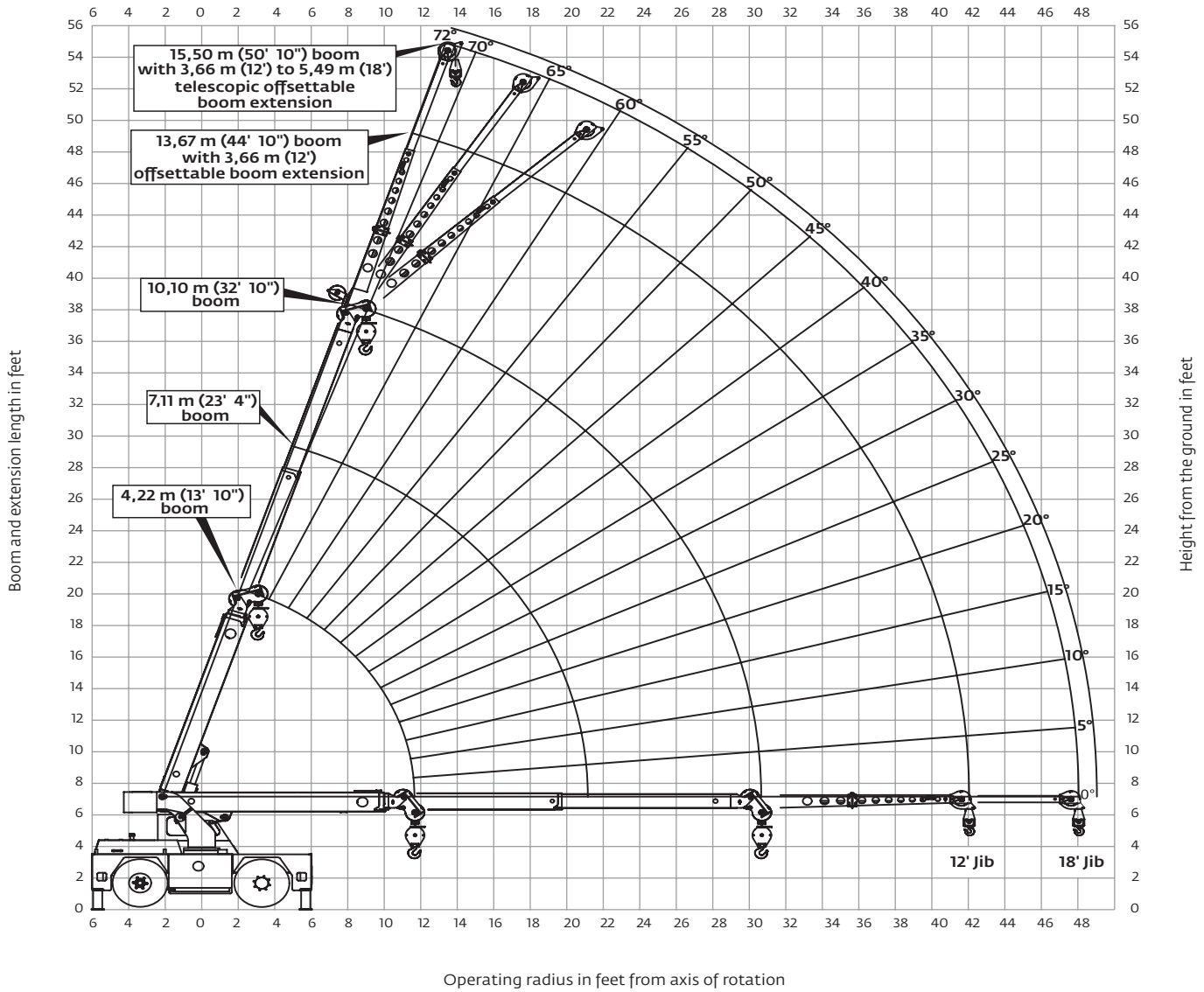
YB4409-2



	A	B	C	D	E
Two-wheel steer	4674 mm (14 ft 4 in)	4737 mm (15 ft 6.5 in)	4636 mm (15 ft 2.5 in)	2718 mm (8 ft 11 in)	5525 mm (18 ft 1.5 in)
Four-wheel steer	4267 mm (14 ft 0 in)	3645 mm (11 ft 9.5 in)	3188 mm (10 ft 5.5 in)	1473 mm (4 ft 10 in)	3569 mm (11 ft 8.5 in)

Range diagram

YB4409-2



THIS CHART IS ONLY A GUIDE AND SHOULD NOT BE USED TO OPERATE THE CRANE.

The individual crane's load chart, operating instructions and other instructional plates must be read and understood prior to operating the crane.

Load chart

YB4409-2

	RADIUS (ft)	ON OUTRIGGERS (lb)				ON RUBBER(lb)	
		F/R		360°		F/R	360°
		BOOM RETRACTED	BOOM EXTENDED	BOOM RETRACTED	BOOM EXTENDED	ANY BOOM	ANY BOOM
MAIN BOOM	5.0	18,000	14,700	18,000	14,700	11,500	9400
	6.0	15,700	14,400	15,000	14,400	10,000	7500
	8.0	12,200	12,200	11,400	11,400	8100	5040
	10.0	10,200	10,200	9100	9100	5480	3530
	12.0	8400	8400	7600	7600	3920	2590
	14.0	-	7200	-	6500	3040	1970
	16.0	-	6200	-	5310	2420	1560
	18.0	-	5400	-	4340	1970	1250
	20.0	-	4830	-	3610	1640	1020
	22.0	-	4000	-	3030	1370	850
	24.0	-	3480	-	2590	1160	710
	26.0	-	3020	-	2250	990	590
	28.0	-	2680	-	2010	830	490
	31.0	-	2270	-	1740	650	360
JIB	34.0	-	1960	-	1500	510	250
	36.0	-	1770	-	1350	430	180
	38.0	-	1590	-	1200	350	130
	40.0	-	1420	-	1050	280	80
	42.0	-	1270	-	930	210	60
	44.0	-	1200	-	880	190	40
	46.0	-	1160	-	820	170	20
	48.0	-	1110	-	760	140	0

MAIN BOOM ANGLE (deg)	JIB STRUCTURAL CAPACITIES (lb)					
	12 ft JIB			18 ft JIB		
	0° OFFSET	15° OFFSET	30° OFFSET	0° OFFSET	15° OFFSET	30° OFFSET
72	7500	5100	3500	4000	3300	2300
70	7000	4800	3400	3750	3100	2200
65	5700	4100	3100	3200	2700	2000
60	4500	3500	2800	2800	2400	1850
55	3500	3000	2550	2450	2150	1700
50	2800	2500	2300	2150	1950	1600
45	2300	2200	2000	1900	1750	1500
40	2000	1900	1800	1700	1600	1400
35	1775	1675	1600	1525	1450	1350
30	1600	1500	1400	1400	1300	1300
25	1450	1400	-	1275	1200	-
20	1350	1350	-	1175	1125	-
15	1300	1300	-	1100	1100	-
10	1275	-	-	1050	-	-
5	1225	-	-	1025	-	-
0	1200	-	-	1000	-	-

NOTES:
 JIB CAPACITY IS LIMITED BY BOTH STRUCTURAL CAPACITY CHART AND MAIN CAPACITY CHART.

SHADED AREAS ARE GOVERNED BY STRUCTURAL STRENGTH, DO NOT RELY ON TIPPING.

OPERATION OF THIS EQUIPMENT IN EXCESS OF RATING CHARTS AND DISREGARD OF INSTRUCTIONS IS DANGEROUS AND VOIDS WARRANTY.

1) The rated loads are the maximum lifting capacities as determined by operating radius only. Any combination of boom lengths and angles may be used to obtain operating radius. The operating radius is the horizontal distance from a projection of the axis of rotation to the supporting surface, before loading, to the center of vertical hoist line or tackle with load applied.

2) The rated loads shown on outriggers do not exceed 85% of actual tipping. The rated loads shown on rubber do not exceed 75% of actual tipping. These ratings are based on freely suspended loads with the crane leveled, standing on a firm, uniform, supporting surface. Practical working loads depend on supporting surface., operating radius, and other factors affecting stability. Hazardous surroundings, climatic conditions, experience of personnel, and proper training must all be taken into account by the operator.

3) The weights of all load handling devices such as hooks, hook blocks, slings, etc., except the hoist rope, shall be considered as part of the load. See reduction chart.

4) Ratings on outriggers are with outriggers fully extended.

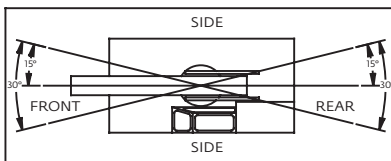
5) Ratings on rubber depend on tire capacity, condition of tires and proper inflation pressure (100 psi). Loads on rubber may be transported at a maximum speed of 2.5 mph on a smooth, hard, level surface with boom retracted to the shortest length possible and centered over front.

6) For operating radius not shown, use load rating of next larger radius.

7) The maximum combined total boom and deck load is 12,000 lb. The maximum deck load only is 14,000 lb.

8) Do not induce any external side loads to boom or jib.

1303154YB

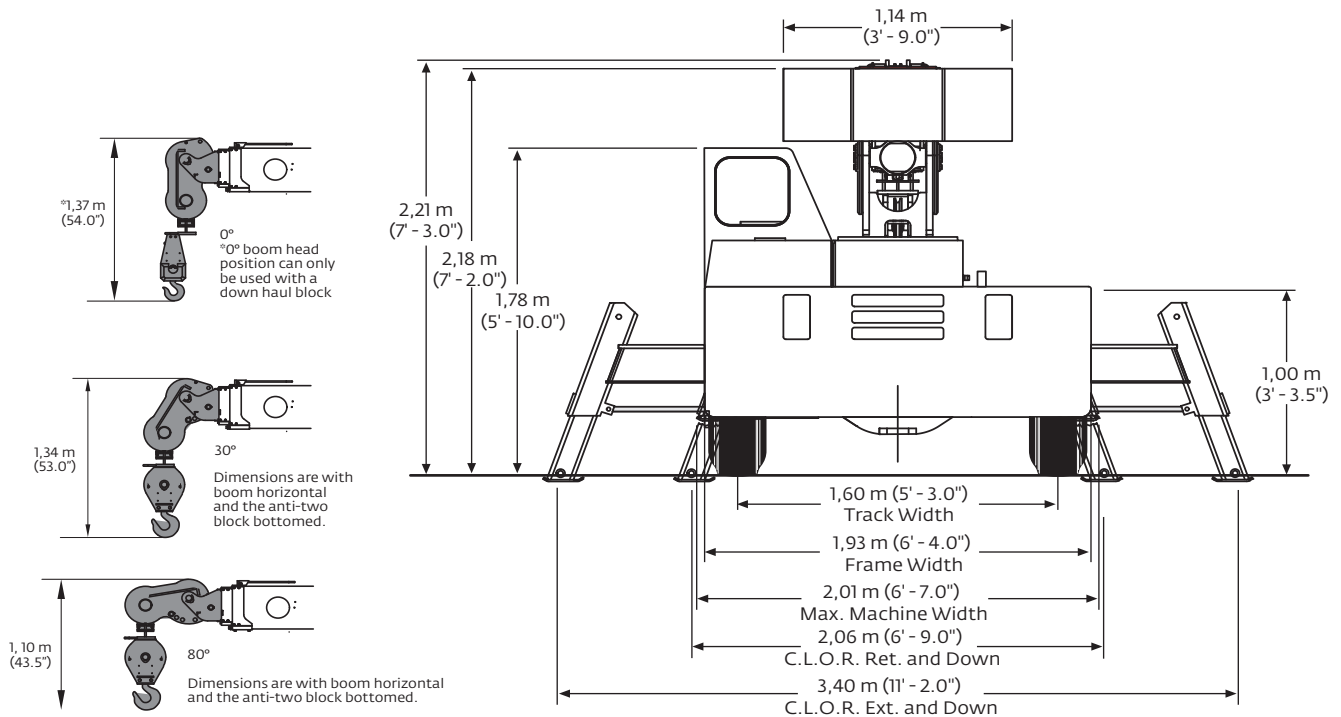
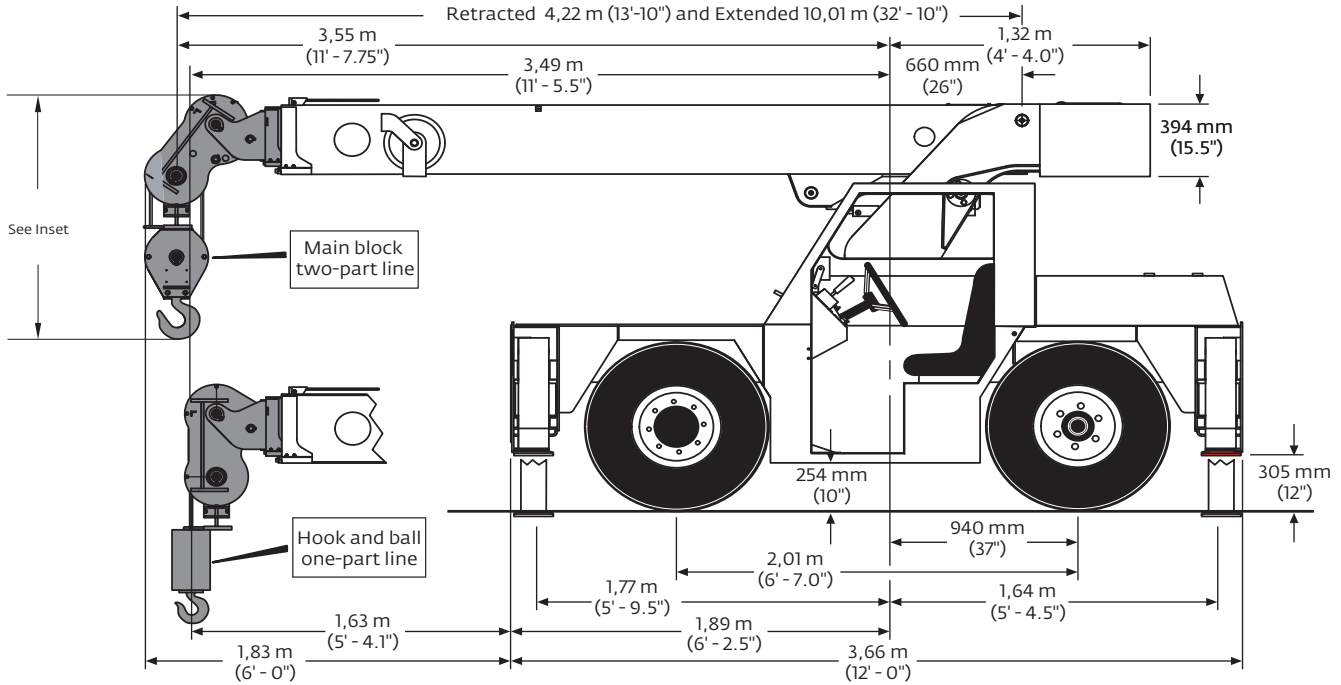


REDUCTION CHART		
	FROM MAIN BOOM RATINGS	FROM MAIN JIB RATINGS
MAIN BLOCK	140 lb	N/A
HOOK & BALL	100 lb	100 lb
JIB, STOWED	0 lb	N/A
JIB, DEPLOYED	450 lb	0 lb

RIGGING CHART	
<p>1-PART 0 - 10,000 lb</p>	<p>2-PART 0 - 18,000 lb</p>
WIRE ROPE: 9/16 in diameter Min. breaking strength 35,000 lb	

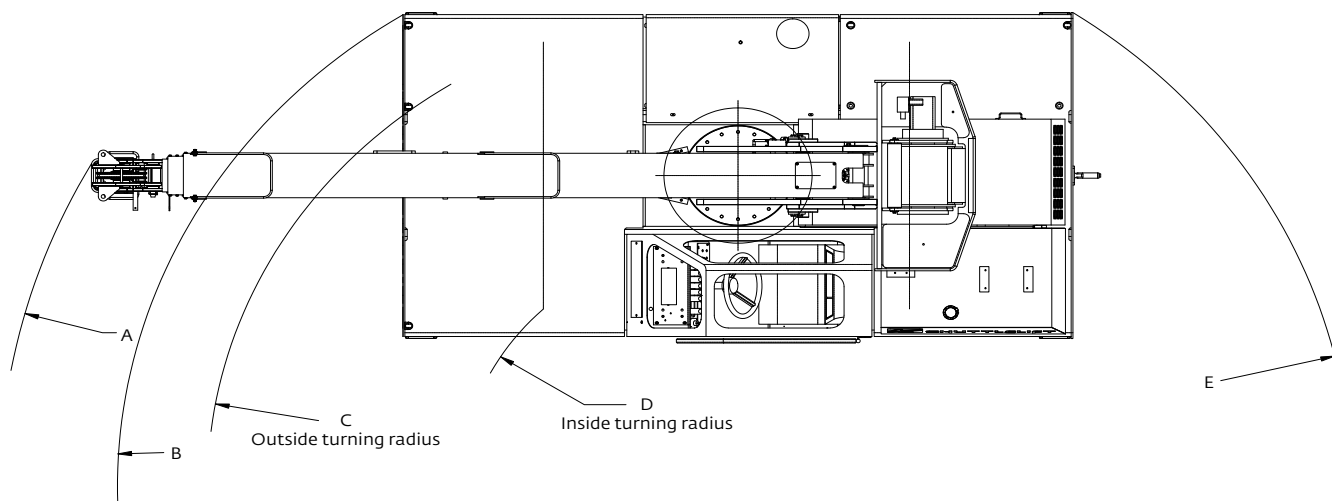
Dimensions

YB4411



Turning radius

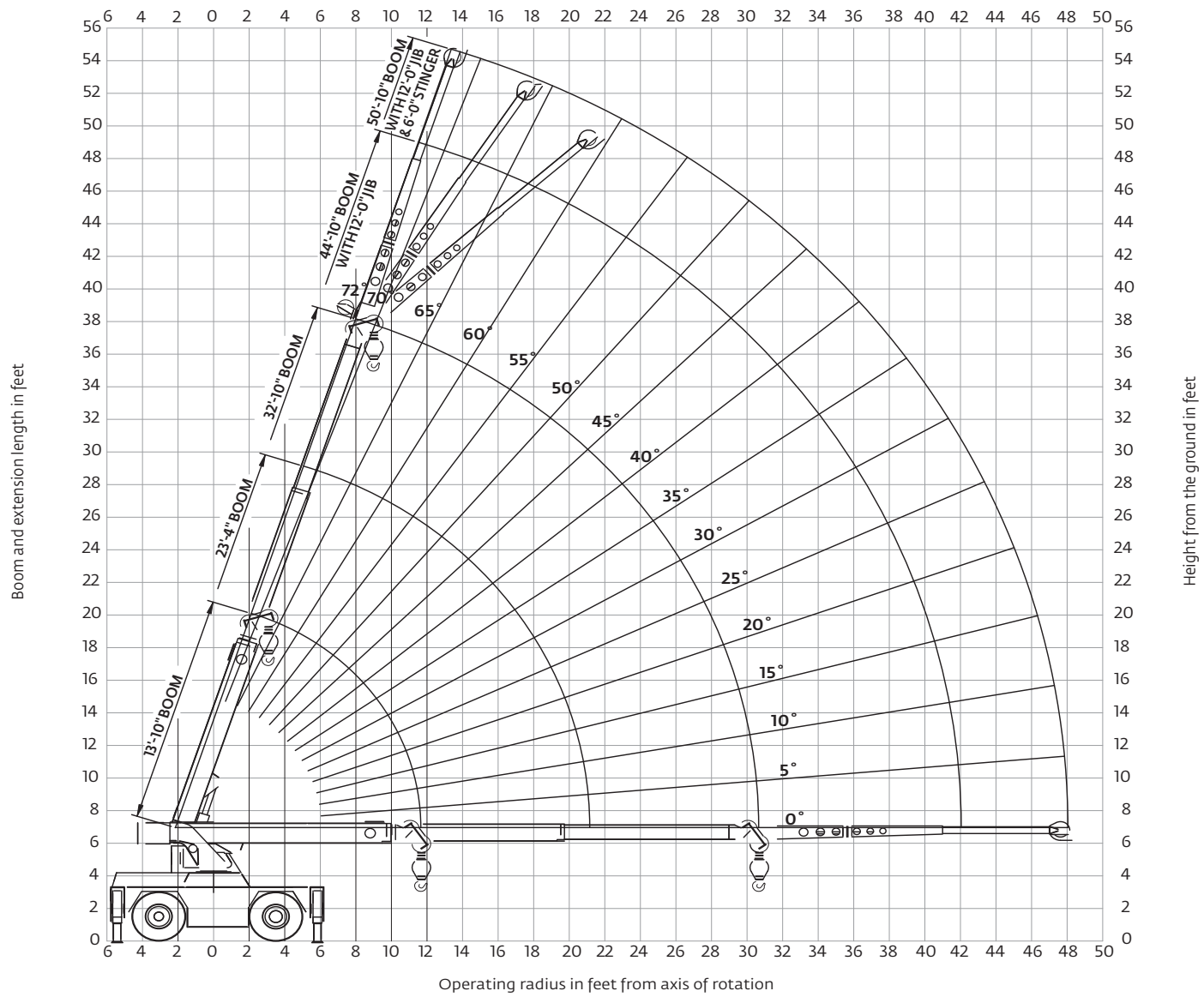
YB4411



	A	B	C	D	E
Two-wheel steer	4759 mm (15 ft 7.4 in)	4482 mm (14 ft 8.4 in)	4080 mm (13 ft 4.6 in)	2556 mm (8 ft 4.6 in)	4522 mm (14 ft 10.0 in)
Four-wheel steer	3990 mm (13 ft 1.1 in)	3346 mm (10 ft 11.7 in)	2853 mm (9 ft 4.3 in)	1470 mm (4 ft 9.9 in)	3416 mm (11 ft 2.5 in)

Range diagram

YB4411



Load chart

YB4411

	RADIUS (ft)	ON OUTRIGGERS (lb)				ON RUBBER (lb)		JIB STRUCTURAL CAPACITIES (lb)						
		EXTENDED 360° RETRACTED F/R		RETRACTED 360°		F/R	360°	12 ft JIB			18 ft JIB			
		BOOM RETRACTED	BOOM EXTENDED	BOOM RETRACTED	BOOM EXTENDED	ANY BOOM	ANY BOOM	0° OFFSET	15° OFFSET	30° OFFSET	0° OFFSET	15° OFFSET	30° OFFSET	
MAIN BOOM	4.0	21,000	15,000	19,625	13,975	11,500	11,500	72	7500	5100	3500	4000	3300	2300
	5.0	18,000	14,700	16,800	13,700	11,500	9400	70	7000	4800	3400	3750	3100	2200
	6.0	15,700	14,400	13,400	13,400	10,000	7800	65	5700	4100	3100	3200	2700	2000
	8.0	12,200	12,200	8700	8700	7600	5600	60	4500	3500	2800	2800	2400	1850
	10.0	10,200	10,200	6150	6150	5175	3875	55	3500	3000	2550	2450	2150	1700
	12.0	8400	8400	4550	4550	3850	2875	50	2800	2500	2300	2150	1950	1600
	14.0	-	7100	-	3425	3000	2250	45	2300	2200	2000	1900	1750	1500
	16.0	-	6000	-	2775	2400	1800	40	2000	1900	1800	1700	1600	1400
	18.0	-	5000	-	2300	1975	1475	35	1775	1675	1600	1525	1450	1350
	20.0	-	4300	-	1825	1650	1200	30	1600	1500	1400	1400	1300	1300
	22.0	-	3700	-	1550	1400	1000	25	1450	1400	-	1275	1200	-
	24.0	-	3300	-	1275	1200	850	20	1350	1350	-	1175	1125	-
	26.0	-	2900	-	1075	1025	700	15	1300	1300	-	1100	1100	-
	28.0	-	2600	-	950	875	600	10	1275	-	-	1050	-	-
	31.0	-	2300	-	800	700	450	5	1225	-	-	1025	-	-
		34.0	-	1975	-	650	600	350	0	1200	-	-	1000	-
	36.0	-	1775	-	550	500	275							
	38.0	-	1575	-	450	400	200							
	40.0	-	1425	-	350	300	125							
	42.0	-	1300	-	250	200	-							
	44.0	-	1200	-	200	150	-							
	46.0	-	1100	-	175	-	-							
	48.0	-	1000	-	150	-	-							
JIB	34.0	-	1975	-	650	600	350							
	36.0	-	1775	-	550	500	275							
	38.0	-	1575	-	450	400	200							
	40.0	-	1425	-	350	300	125							
	42.0	-	1300	-	250	200	-							
	44.0	-	1200	-	200	150	-							
	46.0	-	1100	-	175	-	-							
	48.0	-	1000	-	150	-	-							

NOTES:

JIB CAPACITY IS LIMITED BY BOTH STRUCTURAL CAPACITY CHART AND MAIN CAPACITY CHART.

SHADED AREAS ARE GOVERNED BY STRUCTURAL STRENGTH, DO NOT RELY ON TIPPING.

OPERATION OF THIS EQUIPMENT IN EXCESS OF RATING CHARTS AND DISREGARD OF INSTRUCTIONS IS DANGEROUS AND VOIDS WARRANTY.

1) The rated loads are the maximum lifting capacities as determined by operating radius, boom extension and boom angle. The operating radius is the horizontal distance from a projection of the axis of rotation to the supporting surface, before loading to the center of vertical hoist line or tackle with load applied.

2) The rated loads shown on outriggers do not exceed 85% of actual tipping. The rated loads shown on rubber do not exceed 75% of actual tipping. Retracted outrigger rated loads meet ASME B30.5-2004. These ratings are based on freely suspended loads with the crane leveled, standing on a firm, uniform, supporting surface. Practical working loads depend on supporting surface, operating radius, and other factors affecting stability. Hazardous surroundings, climatic conditions, experience of personnel, and proper training must all be taken into account by the operator.

3) The weights of all load handling devices such as hooks, hook blocks, slings, etc., except the hoist rope, shall be considered as part of the load. See reduction chart.

4) Ratings on outriggers are for either outriggers fully extended and down or fully retracted and down. Ratings for outriggers fully retracted and down will apply for any intermediate outrigger setting.

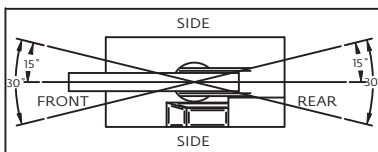
5) Ratings on rubber depend on tire capacity, condition of tires and proper inflation pressure (125 psi). Loads on rubber may be transported at a maximum speed of 2.5 mph on a smooth, hard level surface with boom retracted to the shortest length possible and centered over front.

6) For operating radius not shown, use load rating of next larger radius.

7) The maximum combined total boom and deck load is 12,000 lb. The maximum deck load only is 14,000 lb.

8) Do not induce any external side loads to boom or jib.

80016879



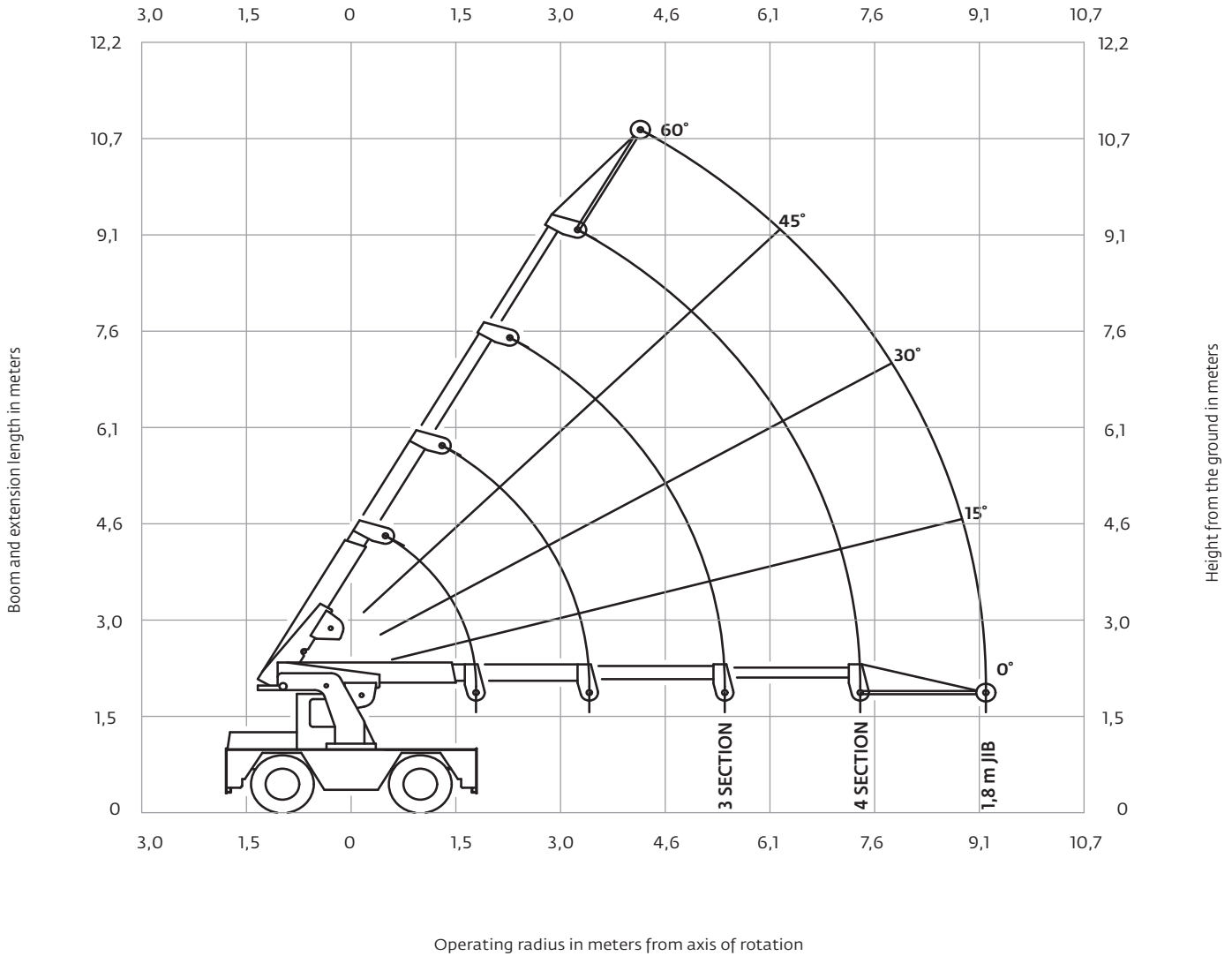
REDUCTION CHART		
	FROM MAIN BOOM RATINGS	FROM JIB RATINGS
MAIN BLOCK	140lb	N/A
HOOK & BALL	100lb	100lbs
JIB, STOWED	0lb	N/A
JIB, DEPLOYED	450lb	0lb

RIGGING CHART	
1-PART 0-10,000lb	2-PART 0-21,000lb
WIRE ROPE: 9/16 inch diameter Min. breaking strength 36,750lb	

THIS CHART IS ONLY A GUIDE AND SHOULD NOT BE USED TO OPERATE THE CRANE.
 The individual crane's load chart, operating instructions and other instructional plates must be read and understood prior to operating the crane.

DIN/ISO range diagram

YB4409



THIS CHART IS ONLY A GUIDE AND SHOULD NOT BE USED TO OPERATE THE CRANE.

The individual crane's load chart, operating instructions and other instructional plates must be read and understood prior to operating the crane.

DIN/ISO load chart

YB4409

RADIUS (m)	3-SECTION BOOM OR 4-SECTION BOOM WITH 4TH RETRACTED				RADIUS (m)	4-SECTION BOOM WITH 4TH EXTENDED				
	ON OUTRIGGERS (kg)		ON RUBBER (kg)			ON OUTRIGGERS (kg)		ON RUBBER (kg)		
	F/R	360°	F/R	360°		F/R	360°	F/R	360°	
1,5	7710	7710	4540	4380	MAIN BOOM	1,5	2770	2770	2770	2770
1,8	7120	6530	4540	3260		1,8	2770	2770	2770	2770
2,4	5620	4900	3200	1970		2,4	2400	2400	2400	2380
3,0	4630	3900	2080	1300		3,0	2130	2130	2130	1560
3,7	3860	3000	1520	950		3,7	2000	2000	1660	1080
4,3	3270	2250	1160	730		4,3	2000	2000	1280	820
4,9	2580	1800	930	570		4,9	2000	2000	1010	650
5,5	2100	1470	770	460		5,5	2000	1720	820	510
6,1	1220	1220	670	400		6,1	1800	1310	690	420
6,7	1180	1120	590	340		6,7	1540	1110	590	340
7,5	1000	930	480	260	7,5	1290	940	500	270	
7,9	-	-	-	-	7,9	1190	870	460	250	
8,5	-	-	-	-	8,5	1080	780	410	210	
9,1	-	-	-	-	9,1	970	690	350	170	
9,4	-	-	-	-	9,4	920	660	330	150	

MAIN BOOM ANGLE (deg)	JIB STRUCTURAL CAPACITIES (kg)	
	3-SECTION BOOM OR 4-SECTION BOOM WITH 4TH RETRACTED	4-SECTION BOOM WITH 4TH EXTENDED
	60	1590
55	1510	1508
50	1430	1429
45	1360	1361
40	1305	1304
35	1270	1270
30	1225	1225
25	1180	1179
20	1135	1134
15	1090	1089
10	1055	1055
5	1020	1021
0	1000	998

*LIMIT RATINGS TO 5350 kg WHEN 3RD SECTION IS EXTENDED ANY AMOUNT.

NOTES:

JIB CAPACITY IS LIMITED BY BOTH STRUCTURAL CAPACITY CHART AND MAIN CAPACITY CHART.

SHADED AREAS ARE GOVERNED BY STRUCTURAL STRENGTH, DO NOT RELY ON TIPPING.

OPERATION OF THIS EQUIPMENT IN EXCESS OF RATING CHARTS AND DISREGARD OF INSTRUCTIONS IS DANGEROUS AND VOIDS WARRANTY.

1) The rated loads are the maximum lifting capacities as determined by operating radius only. Any combination of boom lengths and angles may be used to obtain operating radius. The operating radius is the horizontal distance from a projection of the axis of rotation to the supporting surface, before loading, to the center of vertical hoist line or tackle with load applied.

2) The rated loads shown on outriggers do not exceed 80% of actual tipping. The rated loads shown on rubber do not exceed 75% of actual tipping. These ratings are based on freely suspended loads with the crane leveled, standing on a firm, uniform, supporting surface. Practical working loads depend on supporting surface, operating radius, and other factors affecting stability. Hazardous surroundings, climatic conditions, experience of operator, and proper training must all be taken into account by the operator.

3) The weights of all load handling devices such as hooks, hook blocks, slings, etc., except the hoist rope, shall be considered as part of the load. See reduction chart.

4) Ratings on outriggers are with outriggers fully extended.

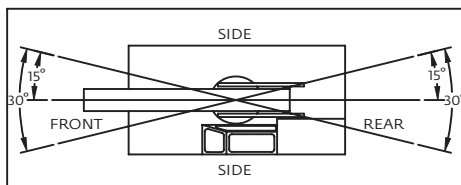
5) Ratings on rubber depend on tire capacity, condition of tires and proper inflation pressure (6,9 bar). Loads on rubber may be transported at a maximum speed of 4 km/h on a smooth, hard, level surface with boom retracted to the shortest length possible and centered over front.

6) For operating radius not shown, use load rating of next larger radius.

7) The maximum combined total boom and deck load is 5440 kg. The maximum deck load only is 6350 kg.

8) Do not induce any external side loads to boom or jib.

1302492YB

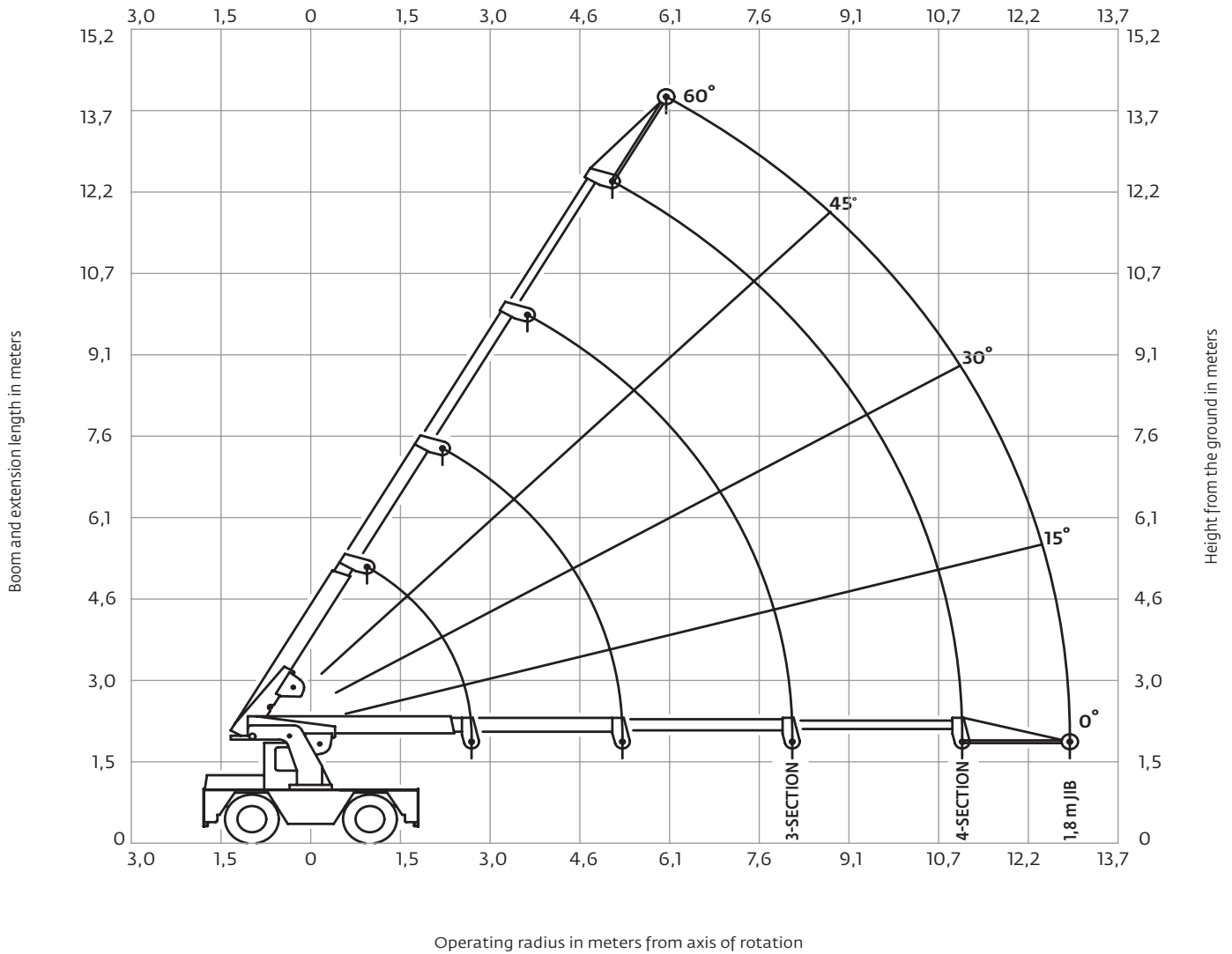


REDUCTION CHART		
	FROM MAIN BOOM RATINGS	FROM JIB RATINGS
MAIN BLOCK	64 kg	N/A
HOOK & BALL	45 kg	45 kg
JIB, STOWED	0 kg	N/A
JIB, DEPLOYED	68 kg	0 kg

RIGGING CHART	
<p>1-PART 0-3855 kg</p>	<p>2-PART 0-7710 kg</p>
WIRE ROPE: 13mm diameter Min. breaking strength 139,8 kN	

DIN/ISO range diagram

YB4409XL



THIS CHART IS ONLY A GUIDE AND SHOULD NOT BE USED TO OPERATE THE CRANE.

The individual crane's load chart, operating instructions and other instructional plates must be read and understood prior to operating the crane.

DIN/ISO load chart

YB4409XL

RADIUS (m)	3-SECTION BOOM OR 4-SECTION BOOM WITH 4TH RETRACTED				RADIUS (m)	4-SECTION BOOM WITH 4TH EXTENDED				MAIN BOOM ANGLE (deg)	JIB STRUCTURAL CAPACITIES (kg)			
	ON OUTRIGGERS (kg)		ON RUBBER (kg)			ON OUTRIGGERS (kg)		ON RUBBER (kg)			3-SECTION BOOM OR 4-SECTION BOOM WITH 4TH RETRACTED	4-SECTION BOOM WITH 4TH EXTENDED		
	F/R	360°	F/R	360°		F/R	360°	F/R	360°					
1,5	7710	7710	4535	4535	MAIN BOOM	1,5	-	-	-	-	60	1590	1540	
1,8	7120	6530	4310	3720		1,8	-	-	-	-	-	55	1510	1405
2,4	5625	4900	3580	2490		2,4	2225	2225	2225	2225		50	1430	1295
3,0	4625	3855	2400	1670		3,0	1950	1950	1950	1880		45	1360	1180
3,7	3855	3150	1670	1170		3,7	1725	1725	1725	1450		40	1305	1100
4,3	3220	2550	1200	830		4,3	1540	1540	1540	1130		35	1270	1045
4,9	2720	1930	930	610		4,9	1405	1405	1270	900		30	1225	1000
5,5	2360	1570	770	470		5,5	1315	1315	1040	720		25	1180	975
6,1	1850	1290	630	380		6,1	1315	1315	830	560		20	1135	965
6,7	1570	1100	540	310		6,7	1315	1315	680	430		15	1090	955
7,3	1360	950	450	240		7,3	1315	1080	560	340		10	1055	930
7,9	1180	820	370	190		7,9	1315	930	450	270		5	1020	920
8,2	1120	770	340	170		8,2	1200	860	400	240		0	1000	905
8,5	1070	730	310	140	8,5	1120	800	370	220					
9,1	970	650	280	110	9,1	990	710	310	180					
9,8	880	580	240	90	9,8	890	630	270	130					
10,2	800	530	220	60	10,2	790	540	230	100					
11,0	-	-	-	-	11,0	700	480	200	60					
11,6	-	-	-	-	JIB	11,6	650	440	180	40				
12,2	-	-	-	-		12,2	610	410	150	20				
12,8	-	-	-	-		12,8	570	370	130	10				
13,1	-	-	-	-		13,1	540	350	120	0				

NOTES:

JIB CAPACITY IS LIMITED BY BOTH STRUCTURAL CAPACITY CHART AND MAIN CAPACITY CHART.

SHADED AREAS ARE GOVERNED BY STRUCTURAL STRENGTH, DO NOT RELY ON TIPPING.

OPERATION OF THIS EQUIPMENT IN EXCESS OF RATING CHARTS AND DISREGARD OF INSTRUCTIONS IS DANGEROUS AND VOIDS WARRANTY.

1) The rated loads are the maximum lifting capacities as determined by operating radius only. Any combination of boom lengths and angles may be used to obtain operating radius. The operating radius is the horizontal distance from a projection of the axis of rotation to the supporting surface, before loading, to the center of vertical hoist line or tackle with load applied.

2) The rated loads shown on outriggers do not exceed 80% of actual tipping. The rated loads shown on rubber do not exceed 75% of actual tipping. These ratings are based on freely suspended loads with the crane leveled, standing on a firm, uniform, supporting surface. Practical working loads depend on supporting surface, operating radius, and other factors affecting stability. Hazardous surroundings, climatic conditions, experience of operator, and proper training must all be taken into account by the operator.

3) The weights of all load handling devices such as hooks, hook blocks, slings, etc., except the hoist rope, shall be considered as part of the load. See reduction chart.

4) Ratings on outriggers are with outriggers fully extended.

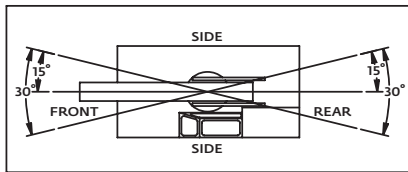
5) Ratings on rubber depend on tire capacity, condition of tires and proper inflation pressure (6,9 bar). Loads on rubber may be transported at a maximum speed of 4 km/h on a smooth, hard, level surface with boom retracted to the shortest length possible and centered over front.

6) For operating radius not shown, use load rating of next larger radius.

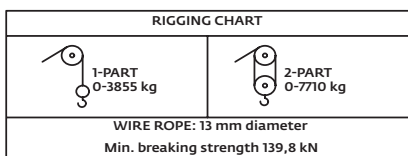
7) The maximum combined total boom and deck load is 5443 kg. The maximum deck load only is 6350 kg.

8) Do not induce any external side loads to boom or jib.

1302119YB

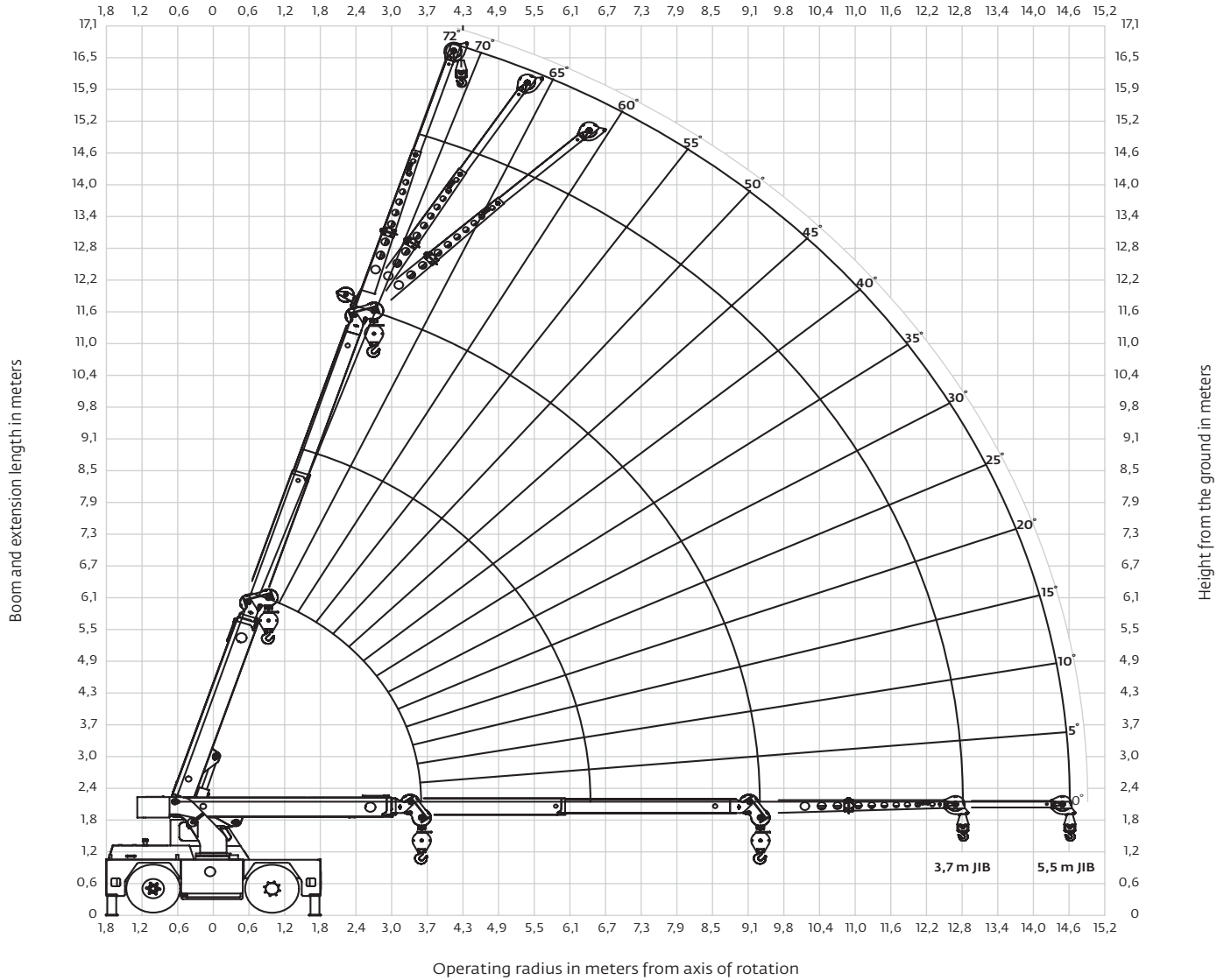


REDUCTION CHART		
	FROM MAIN BOOM RATINGS	FROM JIB RATINGS
MAIN BLOCK	64 kg	N/A
HOOK & BALL	45 kg	45 kg
JIB, STOWED	0 kg	N/A
JIB, DEPLOYED	68 kg	0 kg



DIN/ISO range diagram

YB4409-2



THIS CHART IS ONLY A GUIDE AND SHOULD NOT BE USED TO OPERATE THE CRANE.

DIN/ISO load chart

YB4409-2

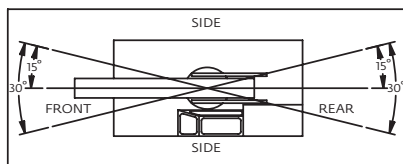
	RADIUS (m)	ON OUTRIGGERS (kg)				ON RUBBER (kg)		JIB STRUCTURAL CAPACITIES (kg)						
		F/R		360°		F/R	360°	3,7 m JIB			5,5 m JIB			
		BOOM RETRACTED	BOOM EXTENDED	BOOM RETRACTED	BOOM EXTENDED	ANY BOOM	ANY BOOM	0° OFFSET	15° OFFSET	30° OFFSET	0° OFFSET	15° OFFSET	30° OFFSET	
MAIN BOOM	1,5	8160	6670	8160	6670	5220	4260	72	3400	2310	1590	1810	1500	1040
	1,8	7120	6530	6800	6530	4540	3360	70	3180	2180	1540	1700	1410	1000
	2,4	5530	5530	5170	5170	3670	2240	65	2590	1860	1410	1450	1220	910
	3,0	4630	4630	4130	4130	2440	1550	60	2040	1590	1270	1270	1090	840
	3,7	3810	3810	3450	3450	1730	1130	55	1590	1360	1160	1110	980	770
	4,3	-	3270	-	2800	1330	840	50	1270	1130	1040	980	880	730
	4,9	-	2810	-	2220	1050	660	45	1040	1000	910	860	790	680
	5,5	-	2450	-	1800	850	520	40	910	860	820	770	730	640
	6,1	-	2010	-	1490	700	420	35	810	760	730	690	660	610
	6,7	-	1670	-	1250	570	340	30	730	680	640	640	590	590
	7,3	-	1430	-	1060	480	280	25	660	640	-	580	540	-
	7,9	-	1240	-	910	400	220	20	610	610	-	530	510	-
	8,5	-	1090	-	810	330	170	15	590	590	-	500	500	-
	9,4	-	920	-	690	250	120	10	580	-	-	480	-	-
JIB	10,4	-	780	-	590	180	70	5	560	-	-	460	-	-
	11,0	-	710	-	530	150	40	0	540	-	-	450	-	-
	11,6	-	630	-	460	110	10							
	12,2	-	560	-	400	80	0							
	12,8	-	490	-	350	50	0							
	13,4	-	460	-	320	40	0							
	14,0	-	440	-	300	30	0							
14,6	-	430	-	270	20	0								

NOTES:

JIB CAPACITY IS LIMITED BY BOTH STRUCTURAL CAPACITY CHART AND MAIN CAPACITY CHART.

SHADED AREAS ARE GOVERNED BY STRUCTURAL STRENGTH, DO NOT RELY ON TIPPING.

OPERATION OF THIS EQUIPMENT IN EXCESS OF RATING CHARTS AND DISREGARD OF INSTRUCTIONS IS DANGEROUS AND VOIDS WARRANTY.



REDUCTION CHART		
	FROM MAIN BOOM RATINGS	FROM JIB RATINGS
MAIN BLOCK	60 kg	N/A
HOOK & BALL	45 kg	45 kg
JIB, STOWED	0 kg	N/A
JIB, DEPLOYED	200 kg	0 kg

RIGGING CHART	
<p>1-PART 0-4540 kg</p>	<p>2-PART 0-8160 kg</p>
WIRE ROPE: 14 mm diameter Min. breaking strength 161,3 kN	

1) The rated loads are the maximum lifting capacities as determined by operating radius, boom extension and boom angle. The operating radius is the horizontal distance from a projection of the axis of rotation to the supporting surface, before loading to the center of vertical hoist line or tackle with load applied.

2) The rated loads shown on outriggers do not exceed 80% of actual tipping. The rated loads shown on rubber do not exceed 75% of actual tipping. These ratings are based on freely suspended loads with the crane leveled, standing on a firm, uniform, supporting surface. Practical working loads depend on supporting surface, operating radius, and other factors affecting stability. Hazardous surroundings, climatic conditions, experience of personnel, and proper training must all be taken into account by the operator.

3) The weights of all load handling devices such as hooks, hook blocks, slings, etc., except the hoist rope, shall be considered as part of the load. See reduction chart.

4) Ratings on outriggers are for outriggers fully extended.

5) Ratings on rubber depend on tire capacity, condition of tires and proper inflation pressure (700 kPa). Loads on rubber may be transported at a maximum speed of 1,4 km/h on a smooth, hard level surface with boom retracted to the shortest length possible and centered over front.

6) For operating radius not shown, use load rating of next larger radius.

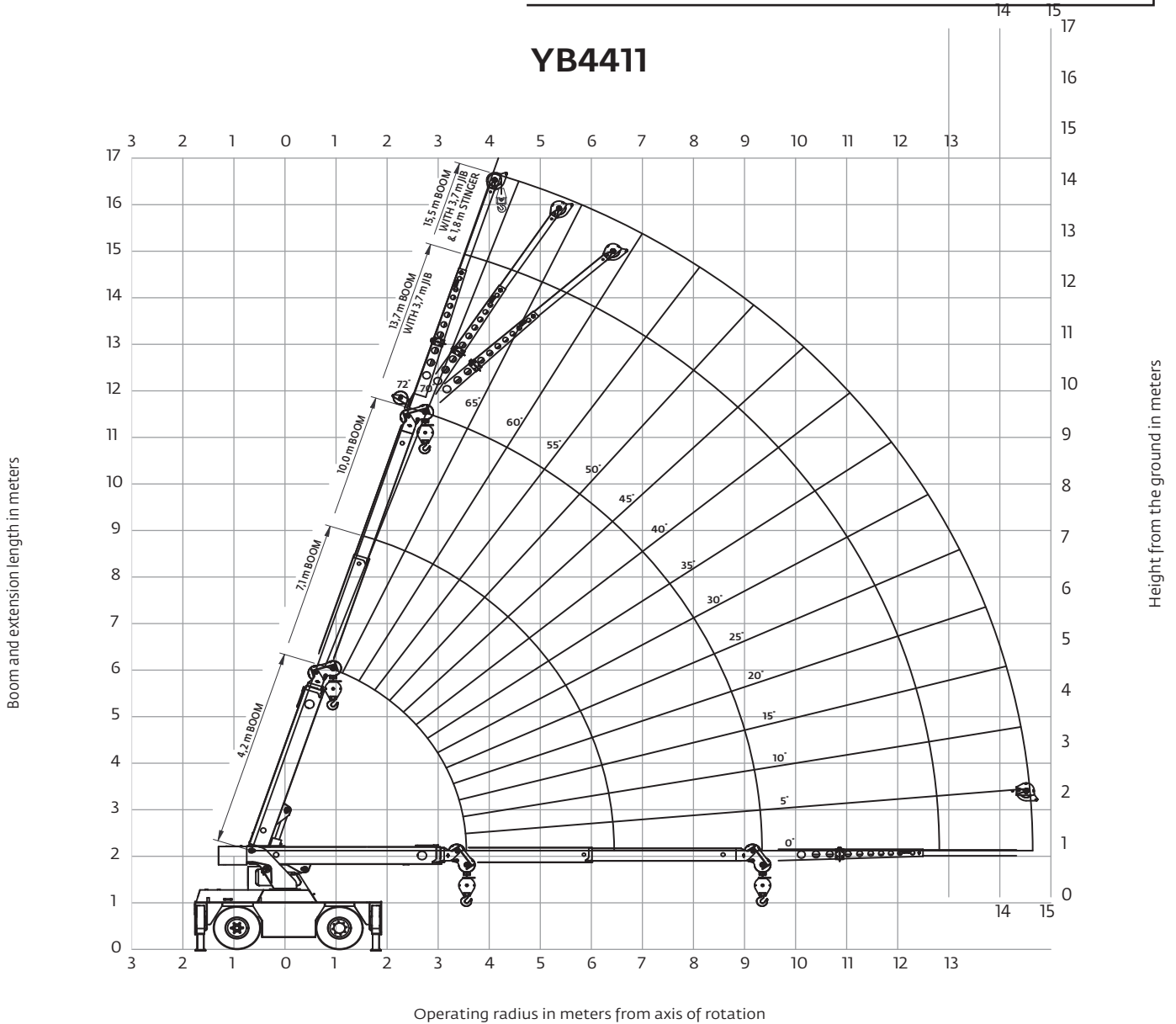
7) The maximum combined total boom and deck load is 5440 kg. The maximum deck load only is 6350 kg.

8) Do not induce any external side loads to boom or jib.

80019958

DIN/ISO range diagram

YB4411



THIS CHART IS ONLY A GUIDE AND SHOULD NOT BE USED TO OPERATE THE CRANE.

Grove YB4400 Series The individual crane's load chart, operating instructions and other instructional plates must be read and understood prior to operating the crane.

DIN/ISO load chart

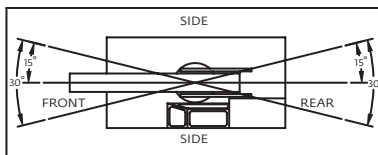
YB4411

	RADIUS (m)	ON OUTRIGGERS (kg)				ON RUBBER (kg)		MAIN BOOM ANGLE (deg)	JIB STRUCTURAL CAPACITIES (kg)					
		EXTENDED 360° RETRACTED F/R		RETRACTED 360°		F/R	360°		3,7 m JIB			5,5 m JIB		
		BOOM RETRACTED	BOOM EXTENDED	BOOM RETRACTED	BOOM EXTENDED	ANY BOOM	ANY BOOM		0° OFFSET	15° OFFSET	30° OFFSET	0° OFFSET	15° OFFSET	30° OFFSET
MAIN BOOM	1,2	9530	6800	9530	6800	5220	5220	72	3400	2310	1590	1810	1500	1040
	1,5	8160	6670	8160	6670	5220	4260	70	3180	2180	1540	1700	1410	1000
	1,8	7120	6530	6530	6530	4540	3540	65	2590	1860	1410	1450	1220	910
	2,4	5530	5530	3960	3960	3670	2680	60	2040	1590	1270	1270	1090	840
	3,0	4630	4630	2810	2810	2720	1810	55	1590	1360	1160	1110	980	770
	3,7	3810	3810	2090	2090	2040	1310	50	1270	1130	1040	980	880	730
	4,3	-	3220	-	1570	1590	1040	45	1040	1000	910	860	790	680
	4,9	-	2720	-	1270	1270	820	40	910	860	820	770	730	640
	5,5	-	2270	-	1060	1040	680	35	810	760	730	690	660	610
	6,1	-	1790	-	850	860	540	30	730	680	640	640	590	590
	6,7	-	1530	-	720	730	430	25	660	640	-	580	540	-
	7,3	-	1360	-	590	630	380	20	610	610	-	530	510	-
	7,9	-	1190	-	510	540	320	15	590	590	-	500	500	-
	8,5	-	1060	-	440	480	270	10	580	-	-	480	-	-
9,4	-	930	-	380	360	180	5	560	-	-	460	-	-	
	10,4	-	790	-	310	270	110	0	540	-	-	450	-	-
JIB	11,0	-	710	-	270	230	80							
	11,6	-	620	-	220	180	40							
	12,2	-	560	-	180	150	10							
	12,8	-	510	-	130	110	0							
	13,4	-	460	-	110	90	0							
	14,0	-	420	-	90	80	0							
	14,6	-	380	-	80	70	0							

NOTES:
 JIB CAPACITY IS LIMITED BY BOTH STRUCTURAL CAPACITY CHART AND MAIN CAPACITY CHART.

SHADED AREAS ARE GOVERNED BY STRUCTURAL STRENGTH, DO NOT RELY ON TIPPING.

OPERATION OF THIS EQUIPMENT IN EXCESS OF RATING CHARTS AND DISREGARD OF INSTRUCTIONS IS DANGEROUS AND VOIDS WARRANTY.



REDUCTION CHART		
	FROM MAIN BOOM RATINGS	FROM JIB RATINGS
MAIN BLOCK	60 kg	N/A
HOOK & BALL	45 kg	45 kg
JIB, STOWED	0 kg	N/A
JIB, DEPLOYED	200 kg	0 kg

RIGGING CHART	
 1-PART 0-4540 kg	 2-PART 0-9530 kg
WIRE ROPE: 14 mm diameter Min. breaking strength 172,8 kN	

1) The rated loads are the maximum lifting capacities as determined by operating radius only. Any combination of boom lengths and angles may be used to obtain operating radius. The operating radius is the horizontal distance from a projection of the axis of rotation to the supporting surface, before loading, to the center of vertical hoist line or tackle with load applied.

2) The rated loads shown on outriggers do not exceed 80% of actual tipping. The rated loads shown on rubber do not exceed 75% of actual tipping. These ratings are based on freely suspended loads with the crane leveled, standing on a firm, uniform, supporting surface. Practical working loads depend on supporting surface, operating radius, and other factors affecting stability. Hazardous surroundings, climatic conditions, experience of operator, and proper training must all be taken into account by the operator.

3) The weights of all load handling devices such as hooks, hook blocks, slings, etc., except the hoist rope, shall be considered as part of the load. See reduction chart.

4) Ratings on outriggers are with

outriggers fully extended.

5) Ratings on rubber depend on tire capacity, condition of tires and proper inflation pressure (6,9 bar). Loads on rubber may be transported at a maximum speed of 4 km/h on a smooth, hard level surface with boom retracted to the shortest length possible and centered over front.

6) For operating radius not shown, use load rating of next larger radius.

7) The maximum combined total boom and deck load is 5440 kg. The maximum deck load only is 6350 kg.

8) Do not induce any external side loads to boom or jib.

1302120YB

THIS CHART IS ONLY A GUIDE AND SHOULD NOT BE USED TO OPERATE THE CRANE.
 The individual crane's load chart, operating instructions and other instructional plates must be read and understood prior to operating the crane.

Symbols glossary



Axles



Counterweight



Grade



Outriggers



Boom



Drive



Heavy duty jib



Radius



Boom elevation



Electrical system



Hoist



Rotation



Boom extension



Engine



Hookblock



Speed



Boom length



Extension



Hydraulic system



Steering



Boom nose



Frame



Lights



Suspension



Brakes



Fuel tank capacity



Oil



Swing



Cab



Gear



Outrigger controls



Tires



Transmission

Notes

Grove Manitowoc National Crane Potain



Manitowoc Cranes

Regional headquarters

Americas

Manitowoc, Wisconsin, USA

Tel: +1 920 684 6621

Fax: +1 920 683 6277

Shady Grove, Pennsylvania, USA

Tel: +1 717 597 8121

Fax: +1 717 597 4062

Europe, Middle East, Africa

Ecully, France

Tel: +33 (0)4 72 18 20 20

Fax: +33 (0)4 72 18 20 00

China

Shanghai, China

Tel: +86 21 6457 0066

Fax: +86 21 6457 4955

Greater Asia-Pacific

Singapore

Tel: +65 6264 1188

Fax: +65 6862 4040

Regional offices

Americas

Brazil

Alphaville

Mexico

Monterrey

Chile

Santiago

Europe, Middle East, Africa

Czech Republic

Netvorice

France

Baudemont

Cergy

Decines

Germany

Langenfeld

Hungary

Budapest

Italy

Lainate

Netherlands

Breda

Poland

Warsaw

Portugal

Baltar

Russia

Moscow

South Africa

Johannesburg

U.A.E.

Dubai

U.K.

Buckingham

China

Beijing

Chengdu

Guangzhou

Xian

Greater Asia-Pacific

Australia

Brisbane

Melbourne

Sydney

India

Chennai

Delhi

Hyderabad

Pune

Korea

Seoul

Philippines

Makati City

Singapore

Factories

Brazil

Passo Fundo

China

TaiAn

Zhangjiagang

France

Charlieu

Moulins

Germany

Wilhelmshaven

India

Pune

Italy

Niella Tanaro

Portugal

Baltar

Fânzeres

Slovakia

Saris

USA

Manitowoc

Port Washington

Shady Grove

This document is non-contractual. Constant improvement and engineering progress make it necessary that we reserve the right to make specification, equipment, and price changes without notice. Illustrations shown may include optional equipment and accessories and may not include all standard equipment.