



Grove Manitowoc National Crane Potain

Grove YB7725

Product Guide



Features

- 22 t (25 USt) capacity
- 21,6 m (71 ft) four-section full power boom
- 13,6 t (15 USt) deck carrying capacity
- Tilt steering wheel
- Load sensing piston hydraulic pump
- Proportional hydraulic controls



Features



The reach and capacity to get the job done

A 5,1 m (17 ft) swingaway extension added to the 21,6 m (71 ft) main boom provides an impressive 28,9 m (95 ft) tip height with a capacity of 2268 kg (5000 lb). A galvanized down-haul ball is included with the extension.



Hook block

A galvanized coated hook block is provided as standard to help eliminate rusting of this important crane component.

Split door design

The "new" split door design, offered with the optional enclosed cab, allows for the top half to be left open while keeping the bottom half closed for safety.



Operator cab

Hydraulic proportional joystick controls, automotive dash layout, tilt steering wheel, and suspension seat enhances operator comfort and ease of use.

Contents

Specifications	4
Dimensions	7
Range diagram	9
Load chart	10
DIN/ISO range diagram	12
DIN/ISO load chart	13
Symbols glossary	15

Specifications

Superstructure

Boom

7,21 m – 21,6 m (23 ft 8 in - 71 ft) full power main boom. Four-section boom with three (3) powered sections.

Maximum tip height: 24,0 m (79 ft).

*Offsettable swingaway extension

5,1 m (17 ft) offsettable swingaway extension. Offsets 0°, 15°, and 30° via pivoting boom nose. Stows alongside base boom section.

Maximum tip height: 28,9 m (95 ft).

Boom nose

Two nickel plated steel sheaves mounted on heavy duty tapered roller bearings with removable pin-type rope guards. Quick reeve type boom nose with four-position (0°, +30°, +60°, and +80°) pivoting to minimize head height requirements. Lowers head height by 0,6 m (2 ft).

Boom elevation

Two double acting hydraulic cylinders with integral holding valves provides elevation from -0° to +80°.

Anti-two block device

Standard anti-two block device, which, when activated, provides an audible warning to the operator and “locks-out” all functions whose movement can cause two-blocking.

Load indicator (LSI)

A simple effective and easy to use load indicating system used in conjunction with the anti-two block system to assist the operator in efficient operation of the unit within the limits of the load chart. The display panel displays the hook load and cuts-out the telescope and boom lift down function when a load limit is exceeded. The warning is by a flashing light on the display panel. In conjunction with the load display panel (receiver) there is a wireless transmitter and load sensing pin attached to the boom head that transmits the hook load to the display panel.

(wireless system)

*Load Moment Indicator (LMI)

“Graphics Display” of boom angle, boom length, boom radius, capacity, and allows for operator input to set the limit parameters based on the load chart. Displays color coded light bar and audible alarm with function cut-out if load exceeds the load chart parameters.

(hardwired system)

Swing

Ball bearing swing circle with 360° continuous rotation. Hydraulic motor driven pinion with brake.

Maximum speed: 2.5 rpm

Hydraulic system

One pressure compensated variable displacement axial piston pump with load sensing combined with two (2) gear pumps.

Maximum output of: 238 LPM (79 GPM).

Maximum operating pressure: 248 bars (3600 psi).

Six section valve bank, chassis mounted, operated via dash mounted, pilot pressure hydraulic joysticks. 227 L (60 gal) hydraulic reservoir with sight level gauge and steel side plating to guard against side impacts.

10 micron return line filter with full flow by-pass protection and service indicator.

Hoist specifications

Piston motor driven with automatic spring applied / hydraulically released wet brake.

Maximum hoist pull (first layer): 6804 kg (15,000 lb)

Maximum permissible single line pull:
5670 kg (12,500 lb) (3.5:1 design factor)

Maximum single line speed: 61 m/min (200 fpm)

Rope construction: 6X19 XIPS/IWRC

Rope diameter: 16 mm (5/8 in)

Rope length:
Main hoist: 119 m (390 ft)

Maximum rope stowage:
Main hoist: 151 m (495 ft)

Specifications

Carrier



Chassis

High strength alloy frame constructed with integral outrigger housings; front and rear lifting, tie-down, and towing lugs. 60 ft² carrydeck size with 13 608 kg (30,000 lb) deck only carrying capacity. Deck coated with anti-skid treatment.



Outriggers

Two-stage hydraulic telescoping beam with vertical jack at the four corners provides extended and down and retracted and down lifting capacities. Integral holding valves on both beam and jack cylinders.

Outrigger pad size:

29,2 cm x 29,2 cm (11.5 in x 11.5 in)

Maximum outrigger pad load:

20 321 kg (44,800 lb) / 339 p.s.i.



Outrigger controls

Independent outrigger control rocker switches for beam or jack selection with separate extend/retract rocker switch. 360° bubble level located inside cab.



Engine (Tier IV)

Cummins QSB 4.5 L, four cylinders, turbo-charged diesel rated at 974 kW (130 hp) at 2500 rpm. Standard 110V engine block heater and cold weather intake grid heater.

Diesel Oxidation/Catalyst, stainless steel, muffler to meet 2012 EPA emissions, combined with a Cummins direct air flow, 2 stage cyclonic air filter system.

Maximum torque: 620 N-m (457 ft lb) at 1500 rpm.

Note: Tier IV engine Required in North American and European Union countries.



Engine (Tier III)

Cummins QSB 4.5L, four cylinders / turbo-charged diesel rated at 974 kW (130 bhp) (Gross) at 2500 rpm. Standard 110V engine block heater and cold weather “ether” assist system. Engine hour meter located inside operators compartment.

Maximum torque: 370 N-m (273 ft lb) at 2500 rpm.

Note: Required for sale outside of North American and European Union countries



Fuel tank capacity

189 L (50 gal)

Grove YB7725



Transmission

Powershift with four speeds forward and reverse. Stalk mounted direction shifter with rotary gear selection.



Operators control station

Frame mounted, open air style control station with cab shell includes all crane functions, driving controls, and overhead safety glass. Other standard equipment includes a suspension seat with seat belt, hourmeter, sight level bubble, and 2.5 lb (1.1 kg) fire extinguisher. The dash panel includes a multi-cluster gauge showing fuel, water temperature, oil pressure, and battery voltage. An engine monitoring indicator strip shows engine warning, stop engine, transmission low pressure, transmission high temperature, and low brake system pressure. The load indicator receiver is mounted to the top of the dash panel.



*Operators control station enclosed

Includes the standard cab shell with the addition of front, rear, and right side glass, a split (2 piece) hinged door with sliding glass, front windshield wiper and washer, hot water heater and defroster with fan and cab dome light are included.



Electrical system

Two 12V maintenance-free batteries, 820CCA at 0°. 63 amp alternator.



Drive

2 wheel (rear drive) or 4 wheel selection, front and rear axle drive with planetary hubs and limited slip differential.



Steer

Standard three steering modes. Front two wheel, four-wheel coordinated, and four-wheel crab steer with electronic self alignment, three-position rocker selector on dash panel.

Outside turning radius:

Two-wheel steer: 7,32 m (24 ft)

Four-wheel steer: 4,04 m (13 ft 3 in)

**Denotes optional equipment*

Specifications

Carrier continued



Suspension/axles

Front: Drive/steer with differential and planetary reduction hubs, axle is rigid mounted to frame.

Rear: Drive/steer with differential and planetary reduction hubs, axle is pivot mounted to frame allows up to 3.5° of oscillation.



Oscillation lockouts

Manual switch to engage and disengage the rear axle lockouts. Engage when lifting on rubber and in crab steer mode, Disengage to allow oscillation when traveling over rough terrain.



Brakes

Hydraulic actuated internal wet-disc service brake acting on all four wheels. Dash mounted toggle switch with light for activating or release of the dry disc parking brake mounted on the transmission output yoke.



Tires

Standard: 17.5 x 25 Bias

Optional: 17.5R25 radials



Lights

Full lighting including turn indicators, head, tail, brake and hazard warning lights recessed mounted.



Maximum speed

31,3 km/h (19.5 mph)



Gradeability (theoretical)

63%..... (at engine stall) NO LOAD

38%.....(at engine stall) with 13 608 kg (30,000 lb)

DECK LOAD

Gross vehicle weight (G.V.W.)

Open cab: 20 249 kg (44,640 lb)

Enclosed cab: 20 354 kg (44,873 lb)

Miscellaneous standard equipment

22 t (25 USt) Two sheave “galvanize coated” hook block, with “Quick Reeve”.

Back-up motion alarm

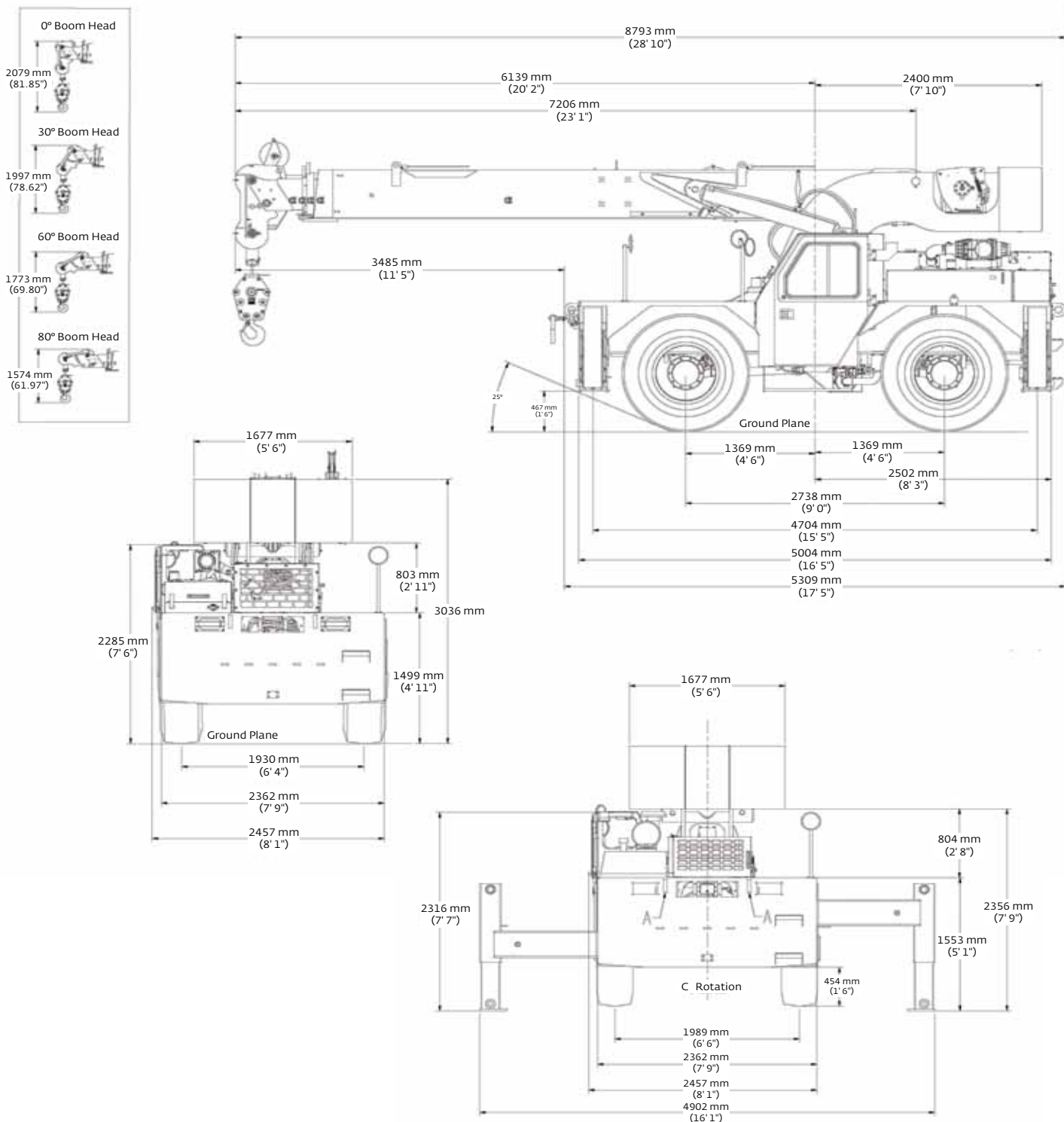
Outrigger motion alarm

Dual rear-view mirrors

*Optional equipment

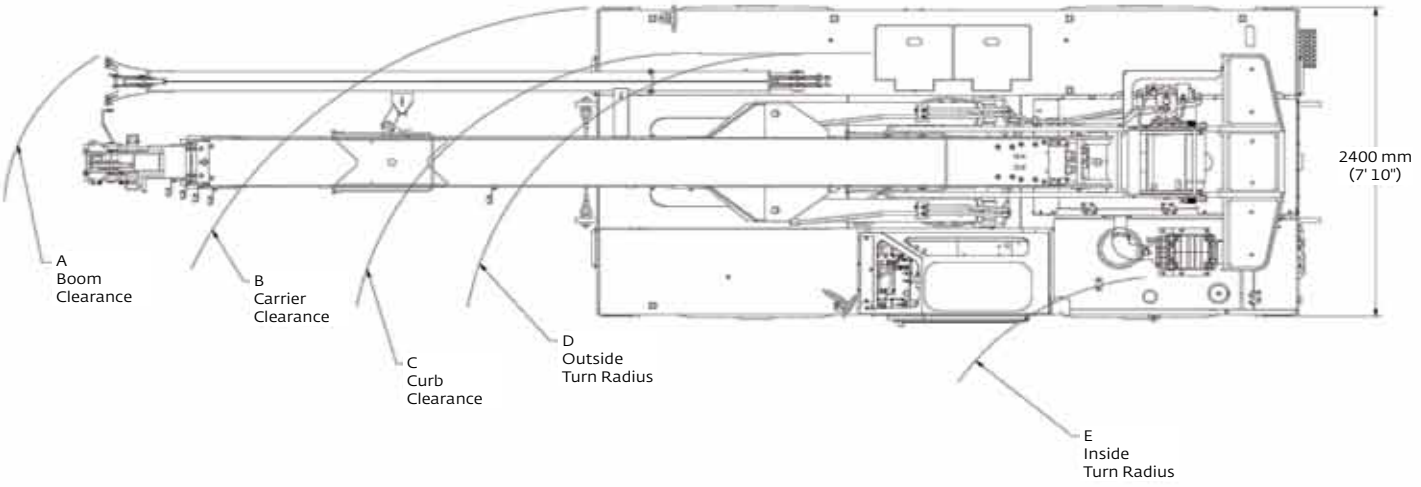
- ▶ AUXILIARY LIGHTING: includes cab mounted amber flashing light, dual base boom mounted floodlights
- ▶ CONVENIENCE PACKAGE: includes front and rear pintle hitch and headlight/taillight grille covers
- ▶ ENCLOSED CAB PACKAGE: includes heater and defroster, cab dome light, all window glass, and two piece split door
- ▶ 5,2 m (17 ft) fixed extension
- ▶ Air conditioner
- ▶ Catalytic convertor
- ▶ Hoist drum rotation indicator
- ▶ Wire rope 3rd wrap indicator with hoist function cut-out
- ▶ 3629 kg (8000 lb) below deck mounted tow winch
- ▶ Foam – filled tires

Dimensions



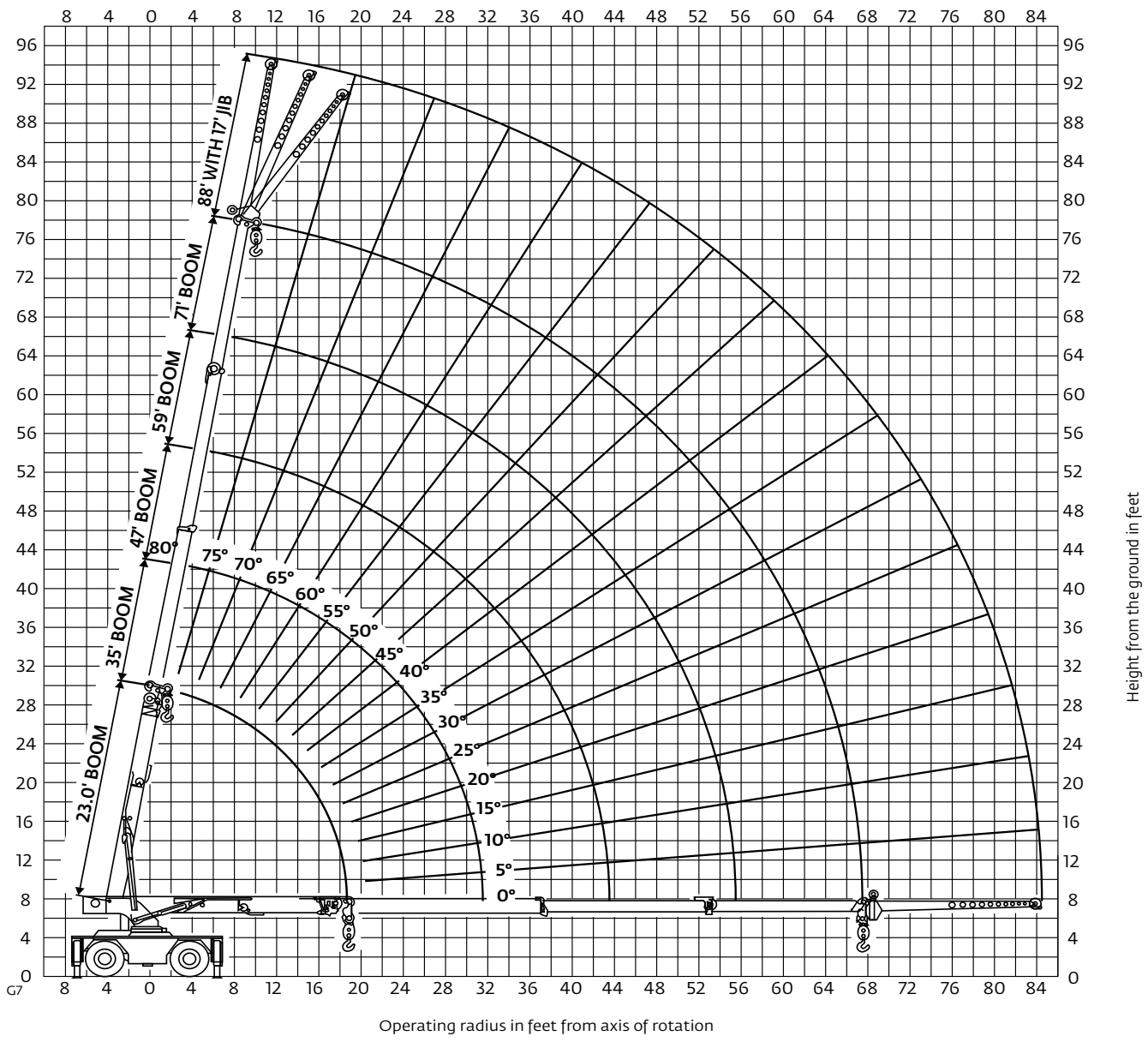
Dimensions

Dimensions						
	Tire size	A	B	C	D	E
2-wheel steer	17.5 x 25	19 568 mm	16 093.4 mm	15 240 mm	14 600 mm	9326.9 mm
		(770.4 in)	(633.6 in)	(600 in)	(574.8 in)	(367.2 in)
4-wheel steer	17.5 x 25	14203.7 mm	9936.5 mm	9083 mm	8168.6 mm	3779.52 mm
		(559.2 in)	(391.2 in)	(357.6 in)	(321.6 in)	(149 in)



Weights						
	GVW		Front		Rear	
	kg	(lb)	kg	(lb)	kg	(lb)
Basic machine: Including 21,6 m (71 ft) main boom, main hoist with 119 m (390 ft) of wire rope, 22,6 t (25 USt) hookblock, full counterweight, Tier IV engine	20 249	(44,640)	9 904	(21,834)	10 345	(22,806)
Add: 5,1 m (17 ft) fixed swingaway extension and extension carrier brackets and downhaul weight	208	(458)	406	(896)	-199	(-438)
Crane weight	20 456	(45,098)	10 310	(22,730)	10 146	(22,368)
Basic machine: Including 21,6 m (71 ft) main boom, main hoist with 119 m (390 ft) of wire rope, 22,6 t (25 USt) hookblock, full counterweight, Tier IV engine	20 249	(44,640)	9 904	(21,834)	10 345	(22,806)
Add: Enclosed cab with heater and defroster	106	(233)	104	(104)	129	(129)
Crane weight	20 354	(44,873)	9 951	(21,938)	10 403	(22,935)

Range diagram



THIS CHART IS ONLY A GUIDE AND SHOULD NOT BE USED TO OPERATE THE CRANE.

The individual crane's load chart, operating instructions and other instructional plates must be read and understood prior to operating the crane.

Load chart

MAIN BOOM LOAD RATINGS ON OUTRIGGERS Extended and Down 360° or Retracted and Down Front/Rear										MAIN BOOM LOAD RATINGS ON OUTRIGGERS Retracted and Down 360°											
Radius (ft)	23.0 ft Boom		35.0 ft Boom		47.0 ft Boom		59.0 ft Boom		71.0 ft Boom		Radius (ft)	23.0 ft Boom		35.0 ft Boom		47.0 ft Boom		59.0 ft Boom		71.0 ft Boom	
	Boom Angle (deg)	Rated Load (lb)	Boom Angle (deg)	Rated Load (lb)	Boom Angle (deg)	Rated Load (lb)	Boom Angle (deg)	Rated Load (lb)	Boom Angle (deg)	Rated Load (lb)		Boom Angle (deg)	Rated Load (lb)	Boom Angle (deg)	Rated Load (lb)	Boom Angle (deg)	Rated Load (lb)	Boom Angle (deg)	Rated Load (lb)	Boom Angle (deg)	Rated Load (lb)
8.5	64.2	50,000	73.2	34,300	78.1	33,600	79.7	27,800	77.1	18,200	8.5	63.5	26,350	73	24,000	78	21,900	79.5	16,650	79	10,500
10	59.8	38,793	70.6	34,500	76.2	33,017	79.7	27,800	77.1	18,200	10	59	20,800	70.5	19,300	76	17,900	77.5	13,350	77	8870
12	53.6	34,893	66.9	31,426	73.6	29,285	77.8	25,900	77.1	18,200	12	52.5	16,000	67	15,100	73.5	14,200	75.5	11,000	75	5720
14	46.8	31,256	63.2	28,464	71	26,357	75.8	24,100	77.1	18,200	14	45.5	12,300	63	12,250	71	11,600	75.5	11,000	79	7590
16	38.8	26,699	59.2	26,076	68.3	24,016	73.7	22,400	75.4	16,750	16	37	9850	59.5	10,150	68.5	9710	73.5	9280	77.5	7590
18	28.7	23,186	55.1	23,496	65.6	22,096	71.7	20,792	75.4	15,500	18	26	8070	55.5	8370	65.5	8230	71.5	7910	75.5	7590
19.5	0	21,044	51.9	21,379	63.5	20,902	70.1	19,582	74.2	14,650	19.5	0	7090	52	7300	63.5	7330	70	7060	74	6810
22	-	-	46	18,471	59.9	18,629	67.4	17,872	72	13,400	22	-	-	46.5	5900	60	6050	67.5	5900	72	5720
24	-	-	40.8	16,592	56.9	16,747	65	16,300	70.3	12,500	24	-	-	41.5	5040	57	5170	65	5150	70	5000
26	-	-	36	14,600	54	14,850	63	14,200	68.5	11,750	26	-	-	36	4330	54	4450	63	4520	68.5	4400
28	-	-	29	12,750	51	13,050	60.5	13,150	66.7	11,050	28	-	-	29	3740	51	3850	60.5	3930	66.5	3880
30	-	-	20	11,250	47.5	11,600	58.5	11,700	65.2	9,800	30	-	-	20	3250	47.5	3340	58.5	3410	65	3420
31.5	-	-	0	10,300	45	10,650	56.5	10,750	63.9	9,400	31.5	-	-	0	2910	45	3010	56.5	3080	63.5	3120
34	-	-	-	-	40	9350	53.5	9480	61.5	8,850	34	-	-	-	40	2530	53.5	2590	61	2640	
36	-	-	-	-	36	8460	51	8590	59.6	8,400	36	-	-	-	36	2200	51	2260	59	2310	
38	-	-	-	-	31	7680	48.5	7830	57	7,940	38	-	-	-	31	1910	48.5	1960	57	2010	
40	-	-	-	-	25	7000	45.5	7150	55	7,270	40	-	-	-	25	1660	45.5	1700	55	1750	
42	-	-	-	-	17.5	6400	42.5	6550	53	6,680	42	-	-	-	17.5	1410	42.5	1470	53	1510	
43.5	-	-	-	-	0	6000	40.5	6000	51.5	6,270	43.5	-	-	-	0	1230	40.5	1310	51.5	1350	
46	-	-	-	-	-	-	36	5440	48.5	5,680	46	-	-	-	-	-	36	1070	48.5	1110	
48	-	-	-	-	-	-	32.5	5040	46.5	5,250	48	-	-	-	-	-	32.5	890	46.5	930	
50	-	-	-	-	-	-	28	4680	44	4,860	50	-	-	-	-	-	28	720	44	780	
52	-	-	-	-	-	-	23	4350	41.5	4,510	52	-	-	-	-	-	23	570	41.5	630	
54	-	-	-	-	-	-	16	4040	38.5	4,190	54	-	-	-	-	-	16	430	38.5	500	
55.5	-	-	-	-	-	-	0	3820	36.5	3,960	55.5	-	-	-	-	-	0	330	36.5	410	
58	-	-	-	-	-	-	-	-	32.5	3,620	58	-	-	-	-	-	-	-	32.5	270	
60	-	-	-	-	-	-	-	-	29	3,370	60	-	-	-	-	-	-	-	-	-	-
62	-	-	-	-	-	-	-	-	25	3,130	62	-	-	-	-	-	-	-	-	-	-
64	-	-	-	-	-	-	-	-	20	2,920	64	-	-	-	-	-	-	-	-	-	-
66	-	-	-	-	-	-	-	-	13	2,720	66	-	-	-	-	-	-	-	-	-	-
67	-	-	-	-	-	-	-	-	0	2,620	67	-	-	-	-	-	-	-	-	-	-

MAIN BOOM ON RUBBER		
Any Boom Length		
Radius (ft)	Front Rating (lb)	360° Rating (lb)
6	30,000	21,000
8	24,950	17,900
10	21,000	15,000
12	18,000	13,000
14	15,650	10,000
16	13,300	7920
18	10,900	6410
20	9460	5780
22	8060	4880
24	6960	4140
26	6050	3520
28	5300	2990
30	4670	2540
32	4130	2160
34	3670	1820
36	3260	1530
38	2900	1270
40	2590	1040
42	2300	830
44	2280	720
46	2050	610
48	1840	500
50	1650	390
52	1480	280
54	1320	-
56	1220	-
58	1080	-
60	950	-
62	840	-
64	730	-
66	620	-
67	570	-

NOTES:
 JIB CAPACITY IS LIMITED BY BOTH STRUCTURAL CAPACITY CHART AND MAIN CAPACITY CHART.

SHADED AREAS ARE GOVERNED BY STRUCTURAL STRENGTH, DO NOT RELY ON TIPPING.

OPERATION OF THIS EQUIPMENT IN EXCESS OF RATING CHARTS AND DISREGARD OF INSTRUCTIONS IS DANGEROUS AND VOIDS WARRANTY.

1) The rated loads are the maximum lift capacities as determined by operating radius, boom length and boom angle. The operating radius is the horizontal distance from a projection of the axis of rotation to the supporting surface, before loading, to the center of vertical hoist line or tackle with load applied.

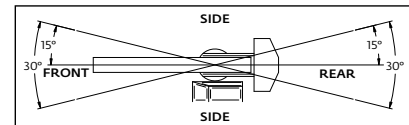
2) Rated load columns for discrete boom lengths apply when actual boom length is within +/-1.0 ft of discrete length. When boom length or radius or both are between points listed on capacity chart, the smallest load shown at either the next larger radius or boom length shall be used.

3) For operating radius not shown, use load rating of next larger radius.

4) The rated loads shown on outriggers do not exceed 85% of actual tipping. The rated loads shown on rubber do not exceed 75% of actual tipping. These ratings are based on freely suspended loads with the crane leveled, standing on a firm, uniform supporting surface. Practical working loads depend on supporting surface, operating radius and other factors affecting stability. Hazardous surroundings, climatic conditions, experience of personnel and proper training must all be taken into account by the operator.

RATING REDUCTIONS FOR LOAD HANDLING DEVICES INSTALLED (lb)		
	FROM MAIN BOOM	FROM JIB
MAIN BLOCK	475	N/A
HOOK & BALL	100	100
JIB STOWED	0	N/A
JIB DEPLOYED	500	0

MAXIMUM PERMISSIBLE SINGLE LINE PULL = 12,500 lb
 HOIST ROPE: 5/8 in diameter
 6 x 19 XIPS IWRC BRIGHT
 Min. req'd breaking strength = 45,400 lb



5) The weights of all load handling devices such as hooks, hook blocks, slings, etc., except the hoist rope, shall be considered part of the load. See reduction chart.

6) Ratings on outriggers are for either outriggers fully extended and down or fully retracted and down. Ratings for outriggers fully retracted and down will apply for any intermediate outrigger setting.

7) Ratings on rubber depend on tire capacity, condition of tires and proper inflation pressure (110 psi). When replacing tires, contact Manitowoc for proper specifications. Loads on rubber may be transported at a maximum speed of 2.5 mph on a smooth, hard, level surface with boom retracted to the shortest length possible and centered over front. For 360° ratings on rubber, rear axle oscillation locks must be in place. Do not use jib with crane on rubber.

8) The maximum combined total boom and deck load is 20,000 lb. The maximum deck load only is 30,000 lb.

9) Do not induce any external side loads to boom or jib.

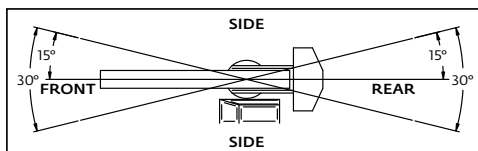
80022135YB

THIS CHART IS ONLY A GUIDE AND SHOULD NOT BE USED TO OPERATE THE CRANE.

The individual crane's load chart, operating instructions and other instructional plates must be read and understood prior to operating the crane.

Load chart

17 ft JIB CAPACITY ON EXTENDED OUTRIGGERS (lb)					
Main Boom Angle (deg)	Jib Offset Angle				
	0°		15°		30° Any Boom Length
	To 55 ft Main Boom	To 71 ft Main Boom	To 55 ft Main Boom	To 71 ft Main Boom	
80	—	—	5000	5000	3500
75	7500	—	4400	4400	3100
70	6100	—	3900	3900	2800
65	5000	4600	3500	3500	2550
60	4300	3800	3150	3150	2350
55	3800	3300	2850	2850	2200
50	3400	2900	2600	2600	2100
45	3050	2600	2400	2400	2000
40	2800	2400	2250	2250	1950
35	2600	2150	2150	2050	1900
30	2400	1930	2080	1850	1830
25	2300	1750	2050	1720	—
20	2200	1600	2000	1590	—
15	2100	1500	1950	1520	—
10	2050	1460	—	—	—
5	2020	1450	—	—	—
0	2000	1440	—	—	—

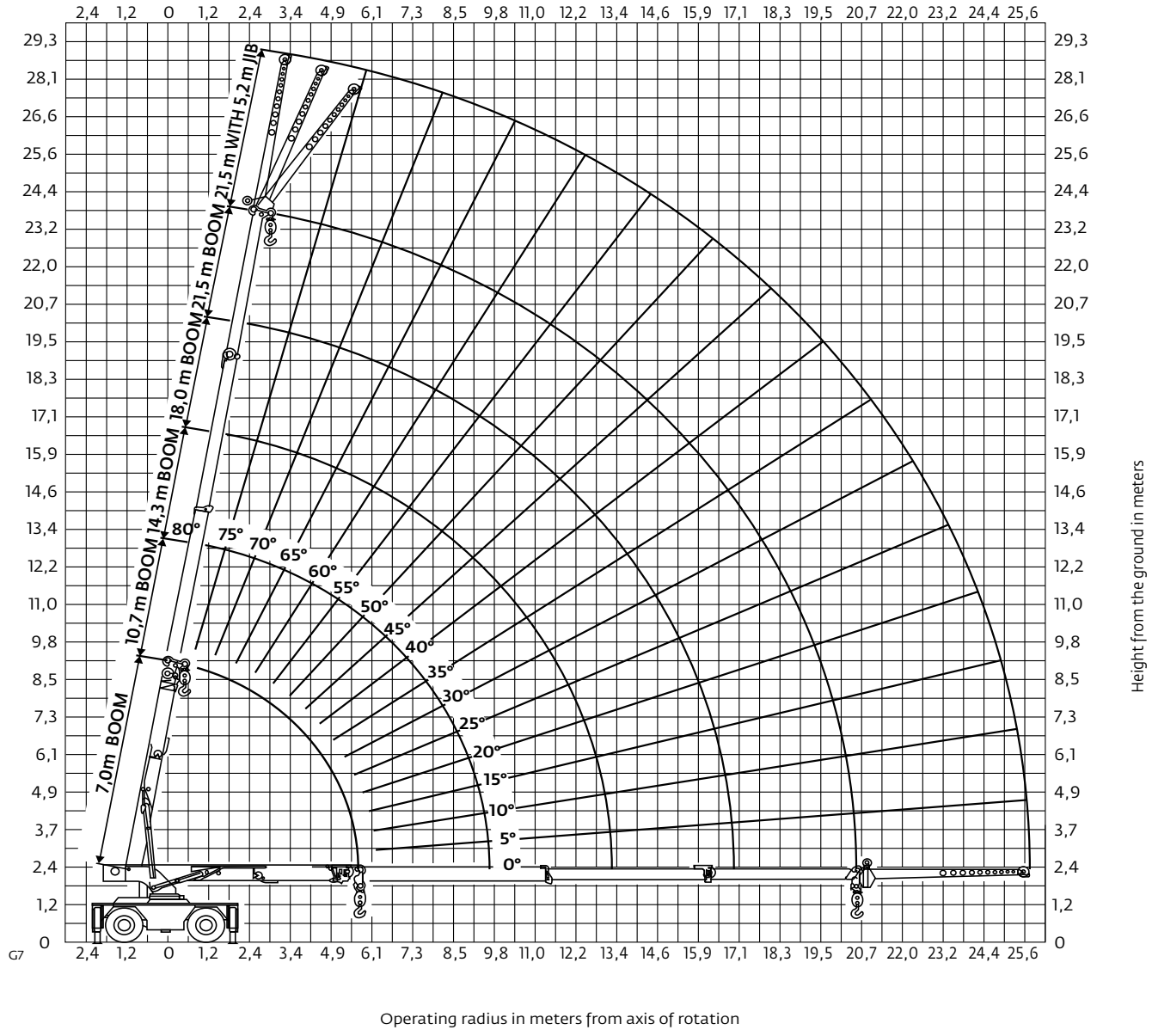


- 1) The rated loads are the maximum lift capacities as determined by operating radius, boom length and boom angle. The operating radius is the horizontal distance from a projection of the axis of rotation to the supporting surface, before loading, to the center of vertical hoist line or tackle with load applied.
- 2) Rated load columns for discrete boom lengths apply when actual boom length is within +/- 1.0 ft of discrete length. When boom length or radius or both are between points listed on capacity chart, the smallest load shown at either the next larger radius or boom length shall be used.
- 3) For operating radius not shown, use load rating of next larger radius.
- 4) The rated loads shown on outriggers do not exceed 85% of actual tipping. The rated loads shown on rubber do not exceed 75% of actual tipping. These ratings are based on freely suspended loads with the crane leveled, standing on a firm, uniform supporting surface. Practical working loads depend on supporting surface, operating radius and other factors affecting stability. Hazardous surroundings, climatic conditions, experience of personnel and proper training must all be taken into account by the operator.

- 5) The weights of all load handling devices such as hooks, hook blocks, slings, etc., except the hoist rope, shall be considered part of the load. See reduction chart.
- 6) Ratings on outriggers are for either outriggers fully extended and down or fully retracted and down. Ratings for outriggers fully retracted and down will apply for any intermediate outrigger setting.
- 7) Ratings on rubber depend on tire capacity, condition of tires and proper inflation pressure (110 psi). When replacing tires, contact Manitowoc for proper specifications. Loads on rubber may be transported at a maximum speed of 2.5 mph on a smooth, hard, level surface with boom retracted to the shortest length possible and centered over front. For 360° ratings on rubber, rear axle oscillation locks must be in place. Do not use jib with crane on rubber.
- 8) The maximum combined total boom and deck load is 20,000 lb. The maximum deck load only is 30,000 lb.
- 9) Do not induce any external side loads to boom or jib.

80022135YB

DIN/ISO range diagram



THIS CHART IS ONLY A GUIDE AND SHOULD NOT BE USED TO OPERATE THE CRANE.
 The individual crane's load chart, operating instructions and other instructional plates must be read and understood prior to operating the crane.

DIN/ISO load chart

MAIN BOOM LOAD RATINGS ON OUTRIGGERS Extended and Down 360° or Retracted and Down Front/Rear										MAIN BOOM LOAD RATINGS ON OUTRIGGERS Retracted and Down 360°										
7.0 m Boom		10.7 m Boom		14.3 m Boom		18.0 m Boom		21.5 m Boom		7.0 m Boom		10.7 m Boom		14.3 m Boom		18.0 m Boom		21.5 m Boom		
Radius (m)	Boom Angle (deg)	Rated Load (kg)	Boom Angle (deg)	Rated Load (kg)	Boom Angle (deg)	Rated Load (kg)	Boom Angle (deg)	Rated Load (kg)	Boom Angle (deg)	Rated Load (kg)	Radius (m)	Boom Angle (deg)	Rated Load (kg)	Boom Angle (deg)	Rated Load (kg)	Boom Angle (deg)	Rated Load (kg)	Boom Angle (deg)	Rated Load (kg)	
2,6	64,5	22 650	73,5	15 550	78,5	15 225	80	12 600	79	8255	2,6	63,5	10 675	73	9495	78	8490	79,5	6580	
3,0	60	17 575	71	15 650	76,5	14 975	80	12 600	79	8255	3,0	59	8805	76	7220	76	7220	79,5	6580	
3,7	54	15 825	67	14 250	74	13 275	78	11 725	77	7595	3,7	52,5	6625	67	6100	73,5	5640	77,5	5215	
4,3	47	14 175	63,5	12 900	71	11 950	76	10 925	77,5	7595	4,3	45,5	5390	63	5010	71	4680	75,5	4370	
4,9	39	12 100	59,5	11 825	68,5	10 875	74	10 150	77,5	7595	4,9	37	4430	59,5	4195	68,5	3950	73,5	3715	
5,5	29	10 500	55,5	10 650	66	10 000	72	9365	75,5	7030	5,5	26	3645	55,5	3570	65,5	3375	71,5	3190	
5,9	0	9545	52	9695	63,5	9070	70,5	8510	74,5	6645	5,9	0	3245	52	3225	63,5	3055	70	2900	
6,7	-	-	46	7905	60	7575	67,5	7155	72	6075	6,7	-	-	46,5	2665	60	2535	67,5	2415	
7,3	-	-	41	6785	57	6715	65	6365	70,5	5670	7,3	-	-	41,5	2295	57	2215	65	2115	
7,9	-	-	36	5905	54	5965	63	5710	68,5	5330	7,9	-	-	36	1975	54	1945	63	1860	
8,5	-	-	29	5215	51	5205	60,5	5155	67	4945	8,5	-	-	29	1710	51	1715	60,5	1640	
9,1	-	-	20	4640	47,5	4660	58,5	4625	65,5	4445	9,1	-	-	20	1490	47,5	1515	58,5	1450	
9,6	-	-	0	4255	45	4270	56,5	4240	64	4180	9,6	-	-	0	1320	45	1365	56,5	1310	
10,4	-	-	-	-	40	3725	53,5	3725	61,5	3695	10,4	-	-	-	-	40	1140	53,5	1110	
11,0	-	-	-	-	36	3380	51	3395	60	3375	11,0	-	-	-	-	36	995	51	980	
11,6	-	-	-	-	31	3080	48,5	3105	57	3090	11,6	-	-	-	-	31	865	48,5	865	
12,2	-	-	-	-	25	2815	45,5	2840	55	2845	12,2	-	-	-	-	25	755	45,5	760	
12,8	-	-	-	-	17,5	2590	42,5	2605	53	2625	12,8	-	-	-	-	17,5	640	42,5	665	
13,3	-	-	-	-	0	2440	40,5	2440	51,5	2465	13,3	-	-	-	-	0	560	40,5	595	
14,0	-	-	-	-	-	-	36	2210	48,5	2225	14,0	-	-	-	-	-	36	490	48,5	475
14,6	-	-	-	-	-	-	32,5	2040	46,5	2055	14,6	-	-	-	-	-	32,5	405	46,5	405
15,2	-	-	-	-	-	-	28	1890	44	1900	15,2	-	-	-	-	-	28	330	44	340
15,8	-	-	-	-	-	-	23	1750	41,5	1760	15,8	-	-	-	-	-	23	260	41,5	280
16,5	-	-	-	-	-	-	16	1600	38,5	1615	16,5	-	-	-	-	-	16	190	38,5	215
16,9	-	-	-	-	-	-	0	1515	36,5	1535	16,9	-	-	-	-	-	0	150	36,5	180
17,7	-	-	-	-	-	-	-	-	32,5	1395	17,7	-	-	-	-	-	-	-	32,5	115
18,3	-	-	-	-	-	-	-	-	29	1295	18,3	-	-	-	-	-	-	-	-	-
18,9	-	-	-	-	-	-	-	-	25	1210	18,9	-	-	-	-	-	-	-	-	-
19,5	-	-	-	-	-	-	-	-	20	1125	19,5	-	-	-	-	-	-	-	-	-
20,1	-	-	-	-	-	-	-	-	13	1045	20,1	-	-	-	-	-	-	-	-	-
20,4	-	-	-	-	-	-	-	-	0	1010	20,4	-	-	-	-	-	-	-	-	-

MAIN BOOM ON RUBBER		
Any Boom Length		
Radius (m)	Front Rating (kg)	360° Rating (kg)
1,8	13 600	9525
2,6	11 300	6875
3,0	9105	5040
3,7	6525	4070
4,3	5530	3445
4,9	4435	2950
5,5	3880	2545
6,1	3425	2210
6,7	3045	1930
7,3	2710	1685
7,9	2350	1480
8,5	2050	1255
9,1	1800	1055
9,8	1550	855
10,4	1365	705
11,0	1205	575
11,6	1065	460
12,2	940	360
12,8	830	265
13,4	820	230
14,0	730	195
14,6	650	160
15,2	570	125
15,8	505	90
16,5	430	-
17,1	390	-
17,7	340	-
18,3	290	-
18,9	240	-
19,5	195	-
20,1	155	-
20,4	135	-

NOTES:
JIB CAPACITY IS LIMITED BY BOTH STRUCTURAL CAPACITY CHART AND MAIN CAPACITY CHART.

SHADED AREAS ARE GOVERNED BY STRUCTURAL STRENGTH, DO NOT RELY ON TIPPING.

OPERATION OF THIS EQUIPMENT IN EXCESS OF RATING CHARTS AND DISREGARD OF INSTRUCTIONS IS DANGEROUS AND VOIDS WARRANTY.

1) The rated loads are the maximum lift capacities as determined by operating radius, boom length and boom angle. The operating radius is the horizontal distance from a projection of the axis of rotation to the supporting surface, before loading, to the center of vertical hoist line or tackle with load applied.

2) Rated load columns for discrete boom lengths apply when actual boom length is within +/- 0,3 m of discrete length. When boom length or radius or both are between points listed on capacity chart, the smallest load shown at either the next larger radius or boom length shall be used.

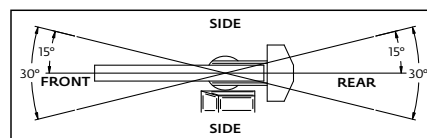
3) For operating radius not shown, use load rating of next larger radius.

4) The rated loads shown on outriggers do not exceed 85% of actual tipping. The rated loads shown on rubber do not exceed 75% of actual tipping. These ratings are based on freely suspended loads with the crane leveled, standing on a firm, uniform supporting surface. Practical working loads depend on supporting surface, operating radius and other factors affecting stability. Hazardous surroundings, climatic conditions, experience of personnel and proper training must all be taken into account by the operator.

RATING REDUCTIONS FOR LOAD HANDLING DEVICES INSTALLED (kg)		
	FROM MAIN BOOM	FROM JIB
MAIN BLOCK	215	N/A
HOOK & BALL	50	50
JIB STOWED	0	N/A
JIB DEPLOYED	230	0

MAXIMUM PERMISSIBLE SINGLE LINE PULL = 5670 kg

HOIST ROPE: 16 mm diameter
8 x 26 XIPS IWRC BRIGHT
Min. req'd breaking strength = 258,9 kN



5) The weights of all load handling devices such as hooks, hook blocks, slings, etc., except the hoist rope, shall be considered part of the load. See reduction chart.

6) Ratings on outriggers are for either outriggers fully extended and down or fully retracted and down. Ratings for outriggers fully retracted and down will apply for any intermediate outrigger setting.

7) Ratings on rubber depend on tire capacity, condition of tires and proper inflation pressure (7.6 bar). When replacing tires, contact Manitowoc for proper specifications. Loads on rubber may be transported at a maximum speed of 4,0 km/h on a smooth, hard, level surface with boom retracted to the shortest length possible and centered over front. For 360° ratings on rubber, rear axle oscillation locks must be in place. Do not use jib with crane on rubber.

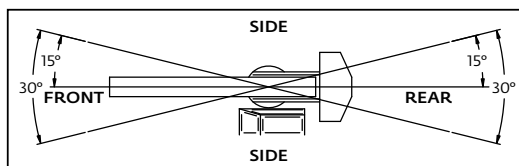
8) The maximum combined total boom and deck load is 9070 kg. The maximum deck load only is 13 610 kg.

9) Do not induce any external side loads to boom or jib.

80024905YB

DIN/ISO load chart

5,2 m JIB CAPACITY ON EXTENDED OUTRIGGERS (kg)					
Main Boom Angle (deg)	Jib Offset Angle				30° Any Boom Length
	0°		15°		
	To 18,0 m Main Boom	To 21,5 m Main Boom	To 18,0 m Main Boom	To 21,5 m Main Boom	
80	—	—	2270	2270	1590
75	3400	—	2000	2000	1410
70	2770	—	1770	1770	1270
65	2270	2090	1590	1590	1160
60	1950	1720	1430	1430	1070
55	1720	1500	1290	1290	1000
50	1540	1320	1180	1180	0950
45	1380	1180	1090	1090	0910
40	1270	1090	1020	1020	0880
35	1180	0980	0980	0930	0860
30	1090	0880	0940	0840	0830
25	1040	0790	0930	0780	—
20	1000	0730	0910	0720	—
15	0950	0680	0880	0690	—
10	0930	0660	—	—	—
5	0920	0660	—	—	—
0	0910	0650	—	—	—



1) The rated loads are the maximum lift capacities as determined by operating radius, boom length and boom angle. The operating radius is the horizontal distance from a projection of the axis of rotation to the supporting surface, before loading, to the center of vertical hoist line or tackle with load applied.

2) Rated load columns for discrete boom lengths apply when actual boom length is within +/- 0,3 m of discrete length. When boom length or radius or both are between points listed on capacity chart, the smallest load shown at either the next larger radius or boom length shall be used.

3) For operating radius not shown, use load rating of next larger radius.

4) The rated loads shown on outriggers do not exceed 85% of actual tipping. The rated loads shown on rubber do not exceed 75% of actual tipping. These ratings are based on freely suspended loads with the crane leveled, standing on a firm, uniform supporting surface. Practical working loads depend on supporting surface, operating radius and other factors affecting stability. Hazardous surroundings, climatic conditions, experience of personnel and proper training must all be taken into account by the operator.

5) The weights of all load handling devices such as hooks, hook blocks, slings, etc., except the hoist rope, shall be considered part of the load. See reduction chart.

6) Ratings on outriggers are for either outriggers fully extended and down or fully retracted and down. Ratings for outriggers fully retracted and down will apply for any intermediate outrigger setting.

7) Ratings on rubber depend on tire capacity, condition of tires and proper inflation pressure (7.6 bar). When replacing tires, contact Manitowoc for proper specifications. Loads on rubber may be transported at a maximum speed of 4,0 km/h on a smooth, hard, level surface with boom retracted to the shortest length possible and centered over front. For 360° ratings on rubber, rear axle oscillation locks must be in place. Do not use jib with crane on rubber.

8) The maximum combined total boom and deck load is 9070 kg. The maximum deck load only is 13 610 kg.

9) Do not induce any external side loads to boom or jib.

80024905YB

Symbols glossary



Axles



Counterweight



Grade



Outriggers



Boom



Drive



Heavy duty jib



Radius



Boom elevation



Electrical system



Hoist



Rotation



Boom extension



Engine



Hookblock



Speed



Boom length



Extension



Hydraulic system



Steering



Boom nose



Frame



Lights



Suspension



Brakes



Fuel tank capacity



Oil



Swing



Cab



Gear



Outrigger controls



Tires



Transmission



Manitowoc Cranes

Regional headquarters

Americas

Manitowoc, Wisconsin, USA

Tel: +1 920 684 6621

Fax: +1 920 683 6277

Shady Grove, Pennsylvania, USA

Tel: +1 717 597 8121

Fax: +1 717 597 4062

Europe, Middle East, Africa

Ecully, France

Tel: +33 (0)4 72 18 20 20

Fax: +33 (0)4 72 18 20 00

China

Shanghai, China

Tel: +86 21 6457 0066

Fax: +86 21 6457 4955

Greater Asia-Pacific

Singapore

Tel: +65 6264 1188

Fax: +65 6862 4040

Regional offices

Americas

Brazil

Alphaville

Mexico

Monterrey

Chile

Santiago

Europe, Middle East, Africa

Czech Republic

Netvorice

France

Baudemont

Cergy

Decines

Germany

Langenfeld

Hungary

Budapest

Italy

Lainate

Netherlands

Breda

Poland

Warsaw

Portugal

Baltar

Russia

Moscow

South Africa

Johannesburg

U.A.E.

Dubai

U.K.

Buckingham

China

Beijing

Chengdu

Guangzhou

Xian

Greater Asia-Pacific

Australia

Brisbane

Melbourne

Sydney

India

Chennai

Delhi

Hyderabad

Pune

Korea

Seoul

Philippines

Makati City

Singapore

Factories

Brazil

Passo Fundo

China

TaiAn

Zhangjiagang

France

Charlieu

Moulins

Germany

Wilhelmshaven

India

Pune

Italy

Niella Tanaro

Portugal

Baltar

Fânzeres

Slovakia

Saris

USA

Manitowoc

Port Washington

Shady Grove

This document is non-contractual. Constant improvement and engineering progress make it necessary that we reserve the right to make specification, equipment, and price changes without notice. Illustrations shown may include optional equipment and accessories and may not include all standard equipment.